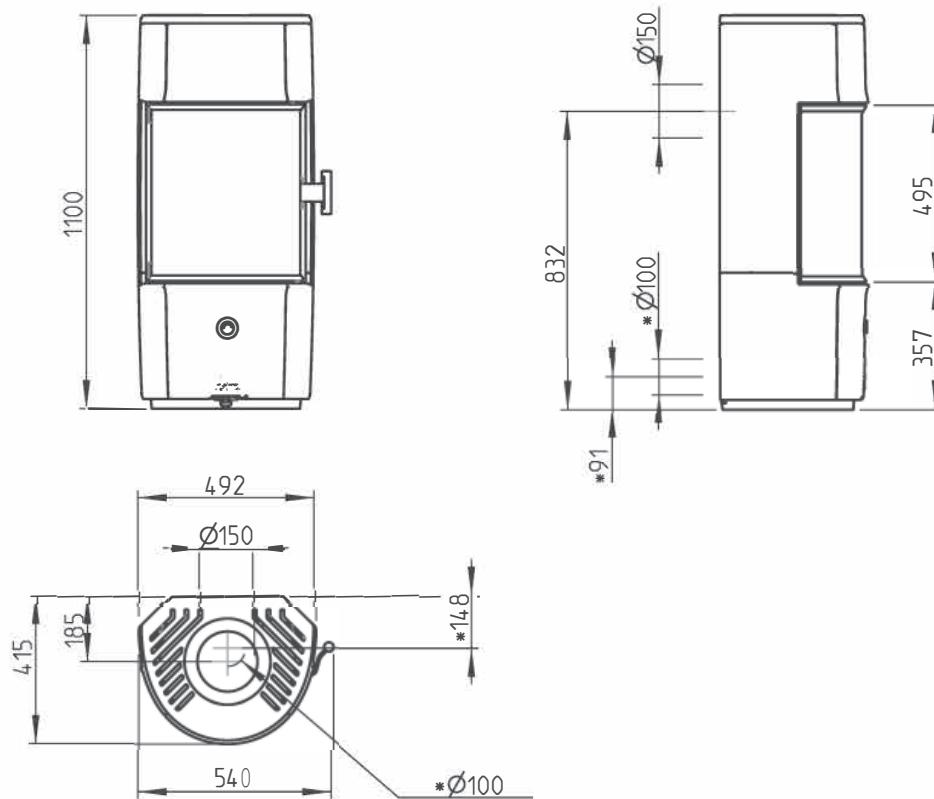
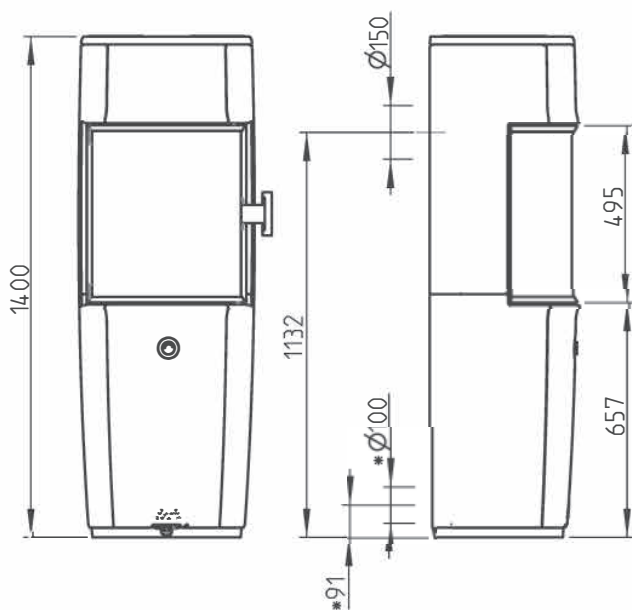


JØTUL F 171 ZENSORIC, JØTUL F 174 ZENSORIC AND JØTUL 176 ZENSORIC

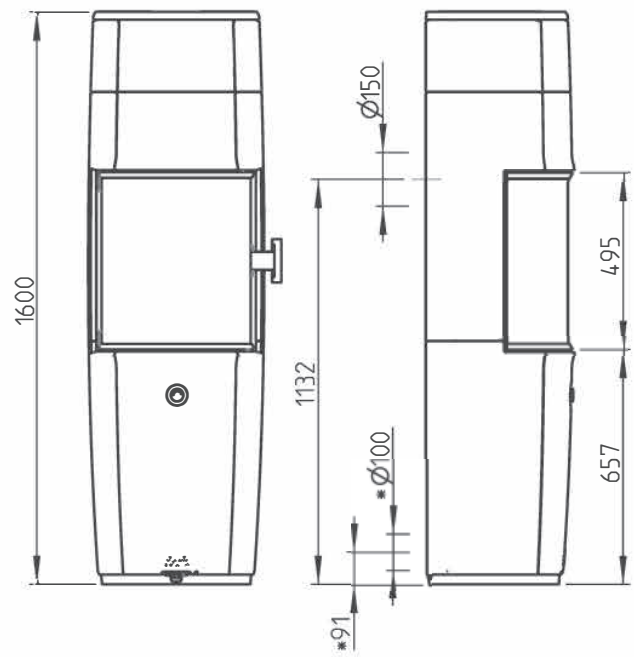
Jøtul F 171 Zensoric



Jøtul F 174 Zensoric



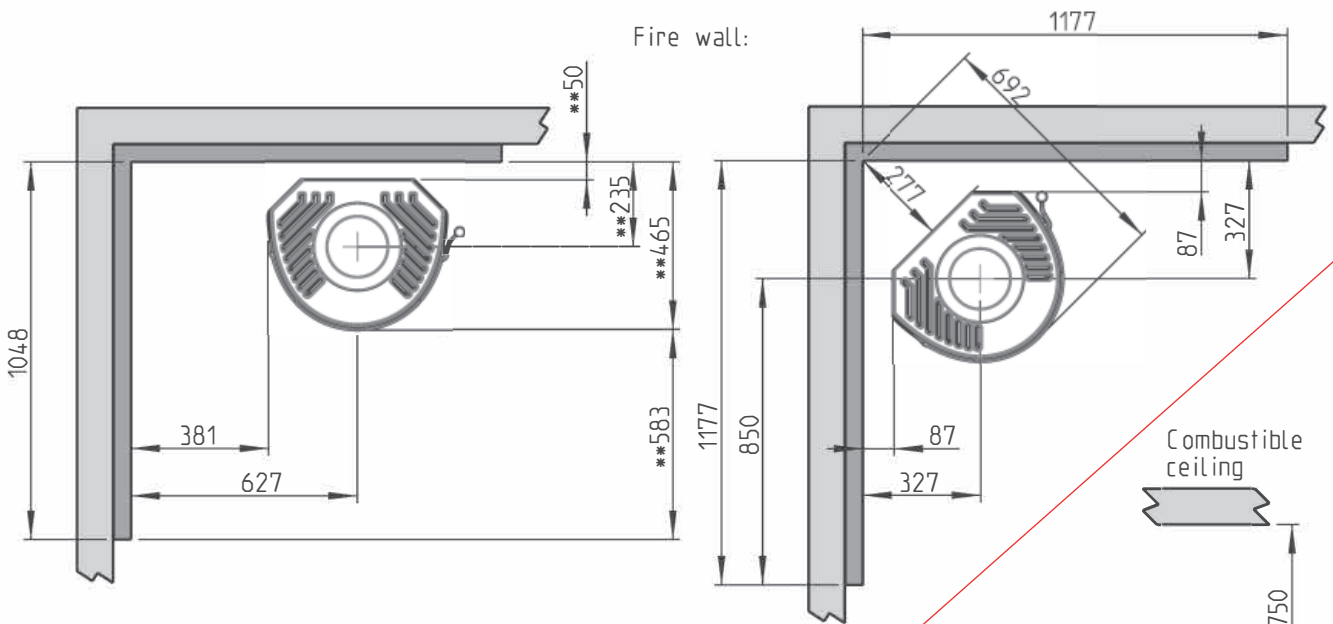
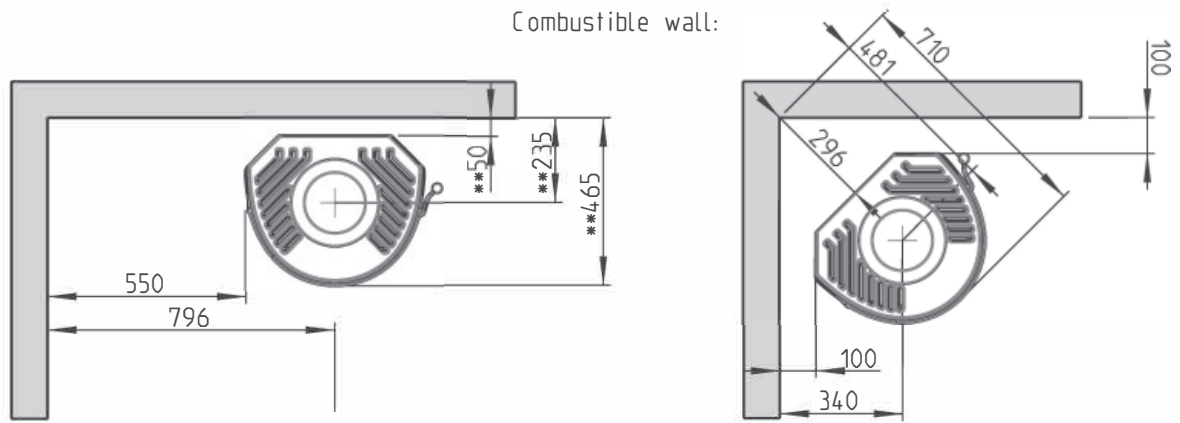
Jøtul F 176 Zensoric



*Outside air connection $\varnothing 100$ mm

INSTALLATIEAFSTAND

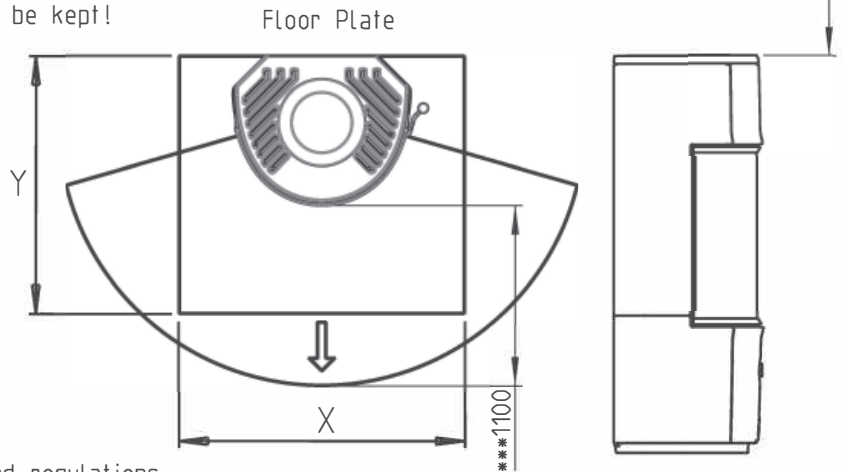
JØTUL F 171 ZENSORIC, JØTUL F 174 ZENSORIC AND JØTUL 176 ZENSORIC



**With semi-insulated flue pipe down to the top of the stove. The safety distances for the chimney and the flue pipe must be kept!

Combustible wall:

Firewall:
Eg. 50mm Jøtul Firewall.
110 mm refractory brick, or
material or material with
similar refractoriness and
insulation properties.



X/Y= According to national laws and regulations
***minimum distance to furniture/combustible material