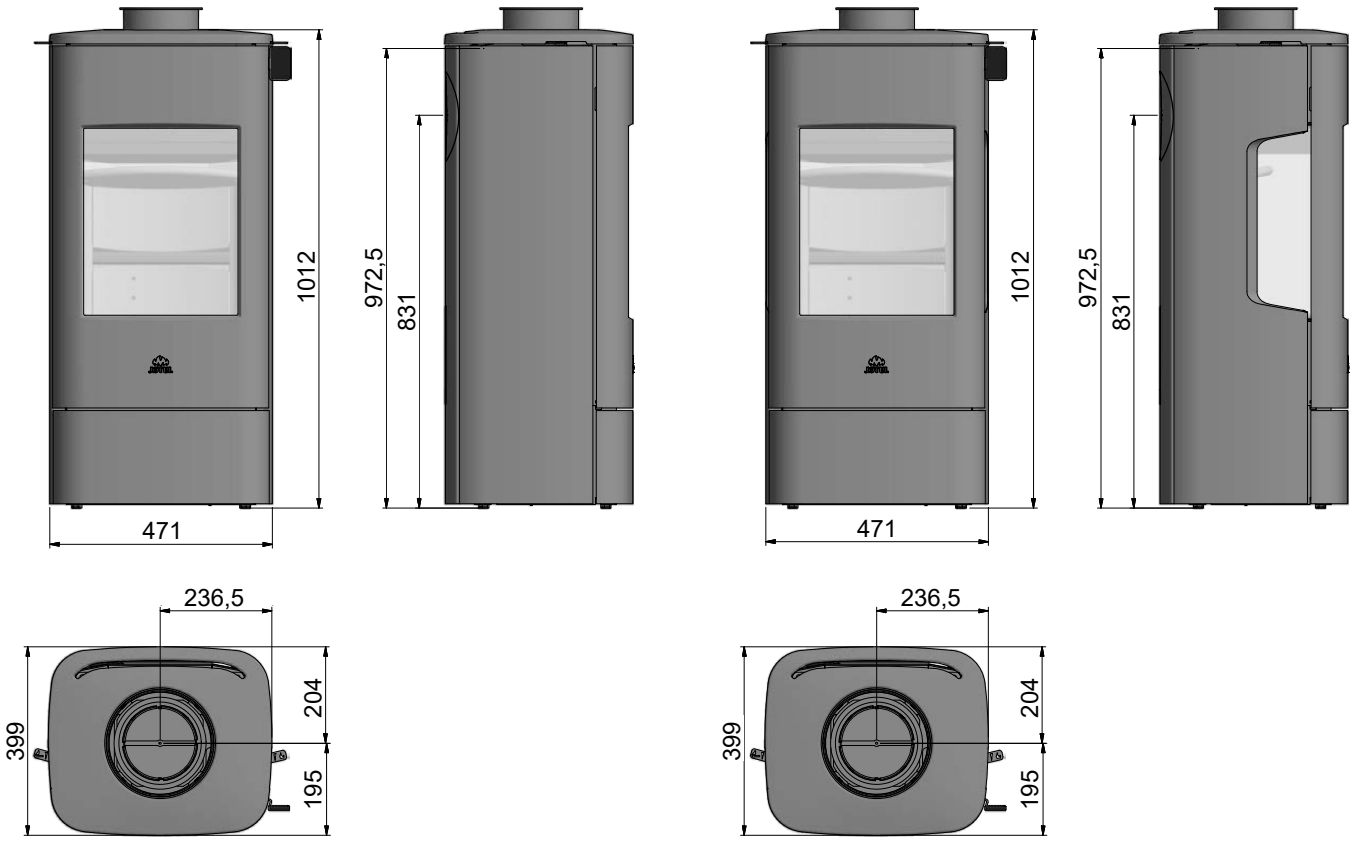
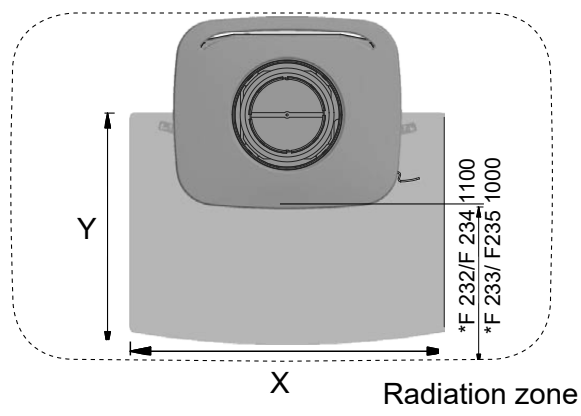


Jøtul F 232

Jøtul F 233



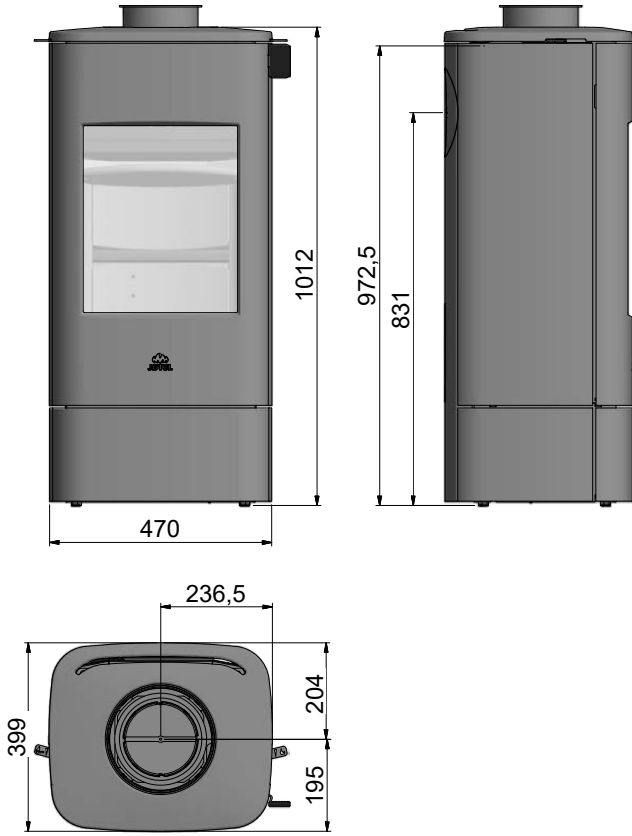
Floorplate



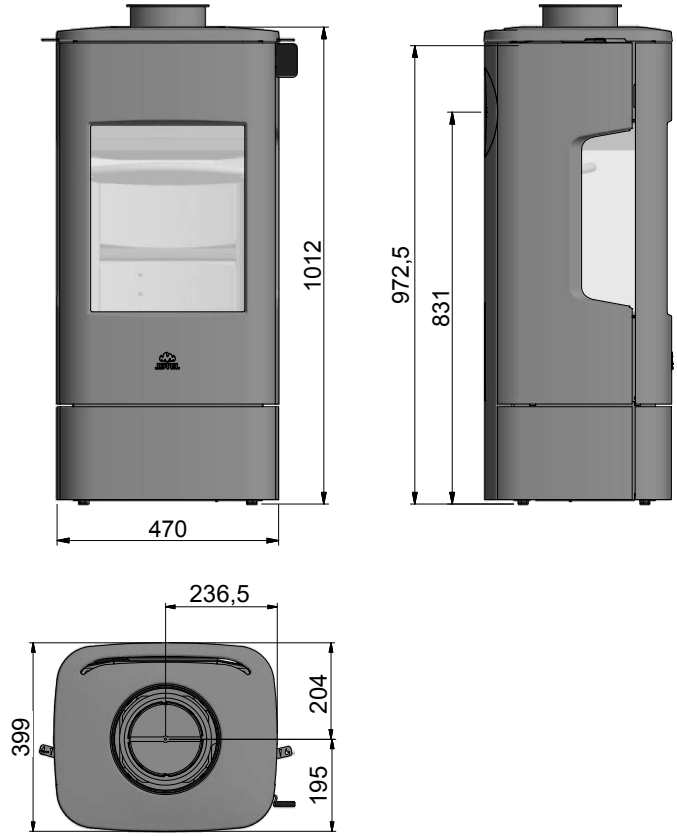
Min. measurement floorplate
 X/Y acc. to national standards
 * Min. distance to furniture / combustible material

Fig. 1a

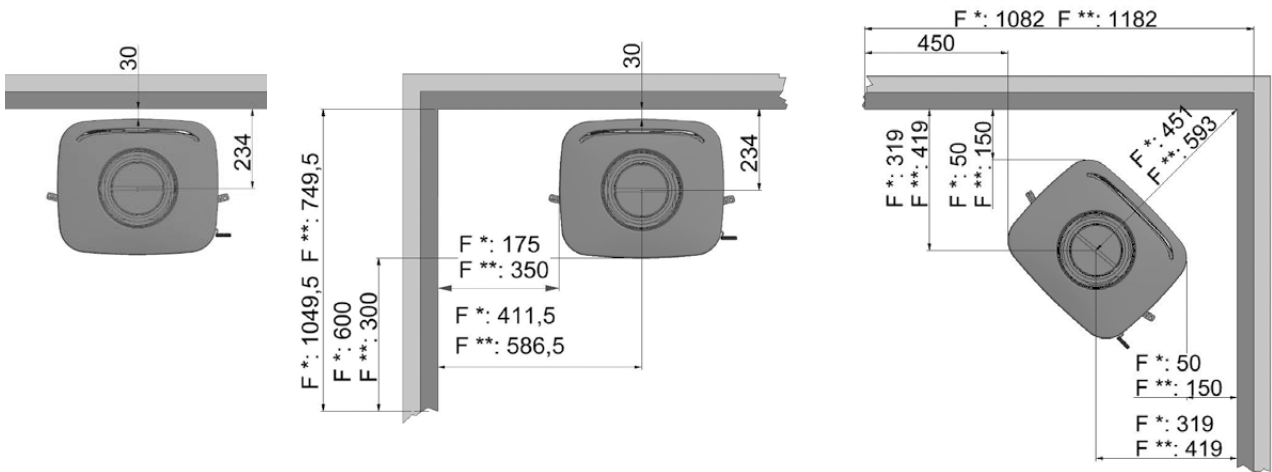
Jøtul F 234



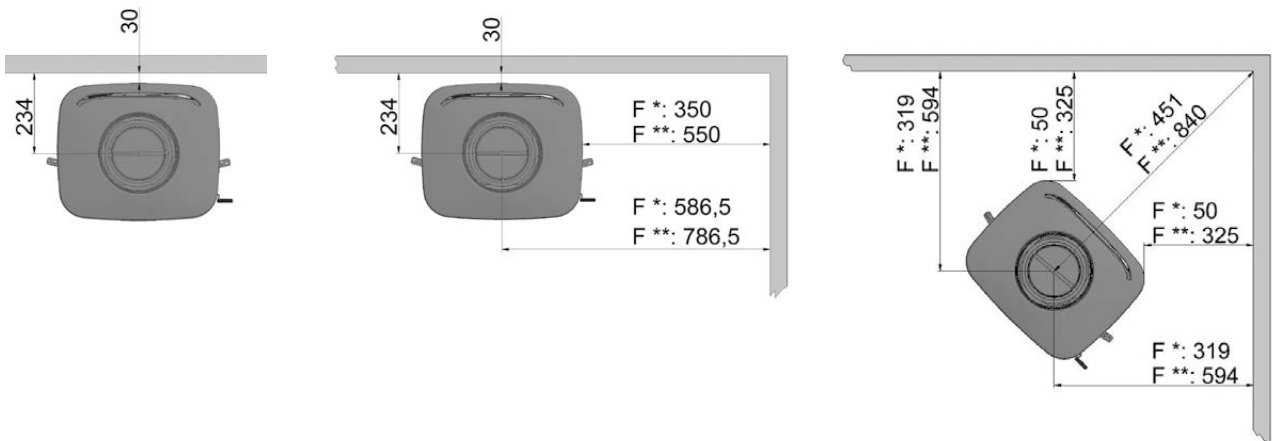
Jøtul F 235



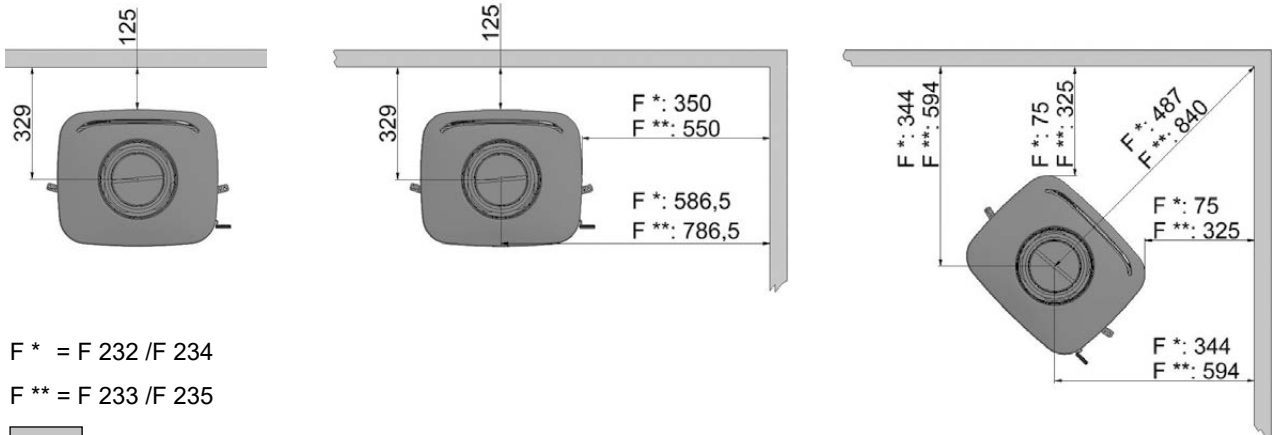
Min. distance to firewall with insulated flue pipe + décor ring



Min. distance to combustible wall with insulated flue pipe + décor ring





Min. distance to combustible wall without insulated flue pipe



F* = F 232 / F 234

F** = F 233 / F 235

-  Combustible wall
-  Firewall Fx. 50 mm. Jøtul Firewall