



LAREDO T

ROMOTOP spol. s r.o.

Komenského 325

742 01 Suchdol nad Odrou

Czech Republic

tel.: +420 556 770 999

fax: +420 517 075 894

e-mail: info@romotop.cz

LAREDO T 01 Ceramics
Keramik
Céramique
Ceramica

LAREDO T 02 Serpentine
Serpentin
Serpentin
Serpentino

LAREDO T 03 Sheet steel
Blech stahl
Tôle d'acier
Lamiera d'acciaio

LAREDO T 04 Sandstone
Sandstein
Grès
Arenaria

EN DE FR IT

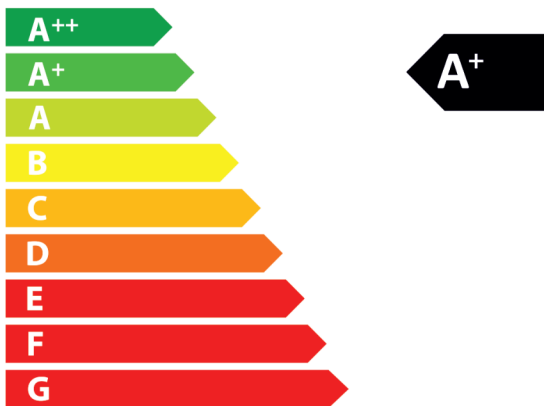


ENERG
енергия · ενέργεια

Y IJA
IE IA

Romotop

LAREDO T



4,0
kW

ENERGIA · ЕНЕРГИЯ · ΕΝΕΡΓΕΙΑ · ENERGIJA · ENERGY · ENERGIE · ENERGI

2015/1186

Product sheet under Regulation EU 2015/1186

Supplier's name or trademark:	Romotop spol. s r. o.
Supplier's model identifier:	Laredo T
The energy efficiency class of the model:	A+
The direct heat output in (kW):	4,0
The indirect heat output in (kW):	0
The energy efficiency index EEI:	108
The useful energy efficiency at nominal heat output (%):	80,5
The useful energy efficiency at minimum load (%):	Pass
Special requirements (instalation, maintanance):	See instructions

The information in the product sheet of the local space heater shall be provided in the following order and shall be included in the product brochure or other literature provided with the product.

Produktdatenblatt gemäß Verordnung EU 2015/1186

Name oder Warenzeichen des Lieferanten:	Romotop GmbH
Modellkennung des Lieferanten:	Laredo T
Energieeffizienzklasse des Modells:	A+
Direkte Wärmeleistung (kW):	4,0
Indirekte Wärmeleistung (kW):	0
Energieeffizienzindex EEI:	108
Energieeffizienz bei Nennwärmeleistung (%):	80,5
Energieeffizienz bei Mindestlast (%):	Pass
Besonderen Vorkehrungen (bei der Installation oder Wartung):	siehe Anleitung

Die Angaben auf dem Produktdatenblatt des Einzelraumheizgerätes sind in nachstehender Reihenfolge aufzuführen und in die Produktbroschüre oder andere mit dem Produkt bereitgestellte Unterlagen aufzunehmen.

Fiche produit selon la réglementation EU 2015/1186

Le nom du fournisseur ou la marque commerciale:	Romotop S.A.R.L.
La référence du modèle donnée par le fournisseur:	Laredo T
La classe d'efficacité énergétique du modèle:	A+
La puissance thermique directe en (kW):	4,0
La puissance thermique indirecte en (kW):	0
L'indice d'efficacité énergétique EEI:	108
Le rendement utile à la puissance thermique nominale et (%):	80,5
Le rendement utile à la puissance thermique minimale (%):	Pass
Mesures spécifiques (lors de l'assemblage, de la maintenance) :	Cf. instructions

Les informations de la fiche de produit du dispositif de chauffage décentralisé sont fournies dans l'ordre indiqué ci-après et figurent dans la brochure relative au produit ou dans tout autre document fourni avec celui-ci.

Scheda prodotto secondo normativa EU 2015/1186

Nome oppure marchio del fornitore:	Romotop spol. s r. o.
Codice prodotto del fornitore:	Laredo T
classe di efficienza energetica del modello:	A+
potenza termica diretta in (kW):	4,0
potenza termica indiretta in (kW):	0
indice di efficienza prodotto EEI:	108
efficienza del combustibile con potenza termica nominale (%):	80,5
efficienza del combustibile con carico minimo (%):	Pass
precauzioni speciali (durante l'installazione o la manutenzione):	Vedi introduzione

Le indicazioni sulla scheda prodotto dell'impianto riscaldamento per singola stanza sono da indicare nella seguente successione e da inserire nel depliant o qualsiasi altro catalogo in riferimento al prodotto.

Technical Sheet, Technisches Datenblatt, Fiche technique, Scheda tecnica

EN	DE	FR	IT	
Product name	Produktbezeichnung	Nom du produit	Nome del prodotto	LAREDO T 01
Dimensions HxWxD (mm)	Abmessungen HxBxT (mm)	Dimensions HxLxP (mm)	Dimensioni AxLxP (mm)	997 x 528 x 398
Weight (kg)	Gewicht (kg)	Poids (kg)	Peso (kg)	125
Product name	Produktbezeichnung	Nom du produit	Nome del prodotto	LAREDO T 02
Dimensions HxWxD (mm)	Abmessungen HxBxT (mm)	Dimensions HxLxP (mm)	Dimensioni AxLxP (mm)	997 x 528 x 398
Weight (kg)	Gewicht (kg)	Poids (kg)	Peso (kg)	137
Product name	Produktbezeichnung	Nom du produit	Nome del prodotto	LAREDO T 03
Dimensions HxWxD (mm)	Abmessungen HxBxT (mm)	Dimensions HxLxP (mm)	Dimensioni AxLxP (mm)	975 x 528 x 398
Weight (kg)	Gewicht (kg)	Poids (kg)	Peso (kg)	122
Product name	Produktbezeichnung	Nom du produit	Nome del prodotto	LAREDO T 04
Dimensions HxWxD (mm)	Abmessungen HxBxT (mm)	Dimensions HxLxP (mm)	Dimensioni AxLxP (mm)	997 x 528 x 398
Weight (kg)	Gewicht (kg)	Poids (kg)	Peso (kg)	128
Completed legislation	Abgeschlossene Gesetzgebung	Législation achevée	Legislazione completata	-
EN 13 240 / 15a B-VG / DIN plus / BImSch V 1 / BImSch V 2				
Eco-design (%)	Ökodesign (%)	Éco-conception (%)	Eco-design (%)	71,5
EEL	EEL	EEL	EEL	107,8
Energy Label	Energielabel	Étiquette énergétique	Etichetta energetica	A+
Prescribed fuel	Vorgeschriebener Brennstoff	Combustible prescrit	Combustibile prescritto	Piece wood / Stückholz Morceau de bois / Pezzo di legno
Fuel length (mm)	Kraftstofflänge (mm)	Longueur de carburant (mm)	Lunghezza del carburante (mm)	250
Average wood consumption (kg/h)	Durchschnittlicher Holzverbrauch (kg/h)	Consommation de bois moyenne (kg/h)	Consumo medio di legna (kg/ora)	1,27
Max. allowed wood batch (kg/h)	Max. erlaubte Holzzuladung (kg/h)	Dose de bois autorisée max. (kg/h)	Dose massima di legna consentita (kg/ora)	1,6
Fuel supply interval for the rated output	Zeitabstand der Brennstoffbeschickung für die Nennleistung	Intervalle d'ajout du combustible pour la puissance nominale	Intervallo fornitura combustibile per potenza nominale	1. hour, Stunde, heure, ora
The greatest height of the filling – 1/3 of the firebox	Höchster Füllstand – 1/3 der Feuerraumhöhe	Hauteur maximale de la charge – 1/3 de la hauteur du foyer	Altezza massima caricamento – 1/3 dell'altezza del braciere	-
Fuel delivery method	Art der Brennstoffbeschickung	Méthode d'ajout du combustible	Modalità fornitura combustibile	manually, von Hand, manuellement, manualmente
Amount of combustion air (m³/h)	Menge an Verbrennungsluft (m³/h)	Quantité d'air de combustion (m³/h)	Quantità di aria di combustione (m³/h)	16,1
Nominal output (kW)	Nennleistung (kW)	Rendement nominal (kW)	Potenza nominale (kW)	4,0
Total regulated output (kW)	Reg. Gesamtleistung (kW)	Rendement régulé total (kW)	Potenza totale regolata (kW)	2,0 – 5,2
Exchanger output (kW)	Austauscherleistung (kW)	Rendement de l'échangeur (kW)	Potenza dello scambiatore (kW)	-
Regulated output of the hot water exchanger (kW)	Reg. Leistung des Warmwassertauschers (kW)	Rendement régulé de l'échangeur à eau chaude (kW)	Potenza regolata dello scambiatore ad acqua calda (kW)	-
Filling volume (litres)	Füllungsgewicht (Liter)	Volume du remplissage (litres)	Volume del riempimento (litri)	-
Max. operating overpressure (kPa)	Max. Betriebsdruck (kPa)	Surpression de fonctionnement max. (kPa)	Pressione d'esercizio massima (kPa)	-
Efficiency (%)	Wirksamkeit (%)	Efficacité (%)	Efficienza (%)	80,53
Mass flow rate of dry flue gases (g/s)	Massendurchfluss der trockenen Abgase (g/s)	Débit massique des résidus de combustion secs (g/s)	Flusso peso combustibile secco (g/s)	4,0
Average flue-gas temperature (°C)	Durchschnittliche Abgastemperatur (°C)	Température moyenne des résidus de combustion (°C)	Temperatura media gas comburenti (°C)	247
Average flue gas temperature after Flue pipe (°C)	Durchschnittliche Abgastemperatur hinter dem Stutzen (°C)	Température moyenne des résidus de combustion derrière la tubulure (°C)	Temperatura media gas comburenti dietro la bocca (°C)	332
Chimney draft (Pa)	Kaminzug (Pa)	Tirage de la cheminée (Pa)	Tiraggio del camino (Pa)	12

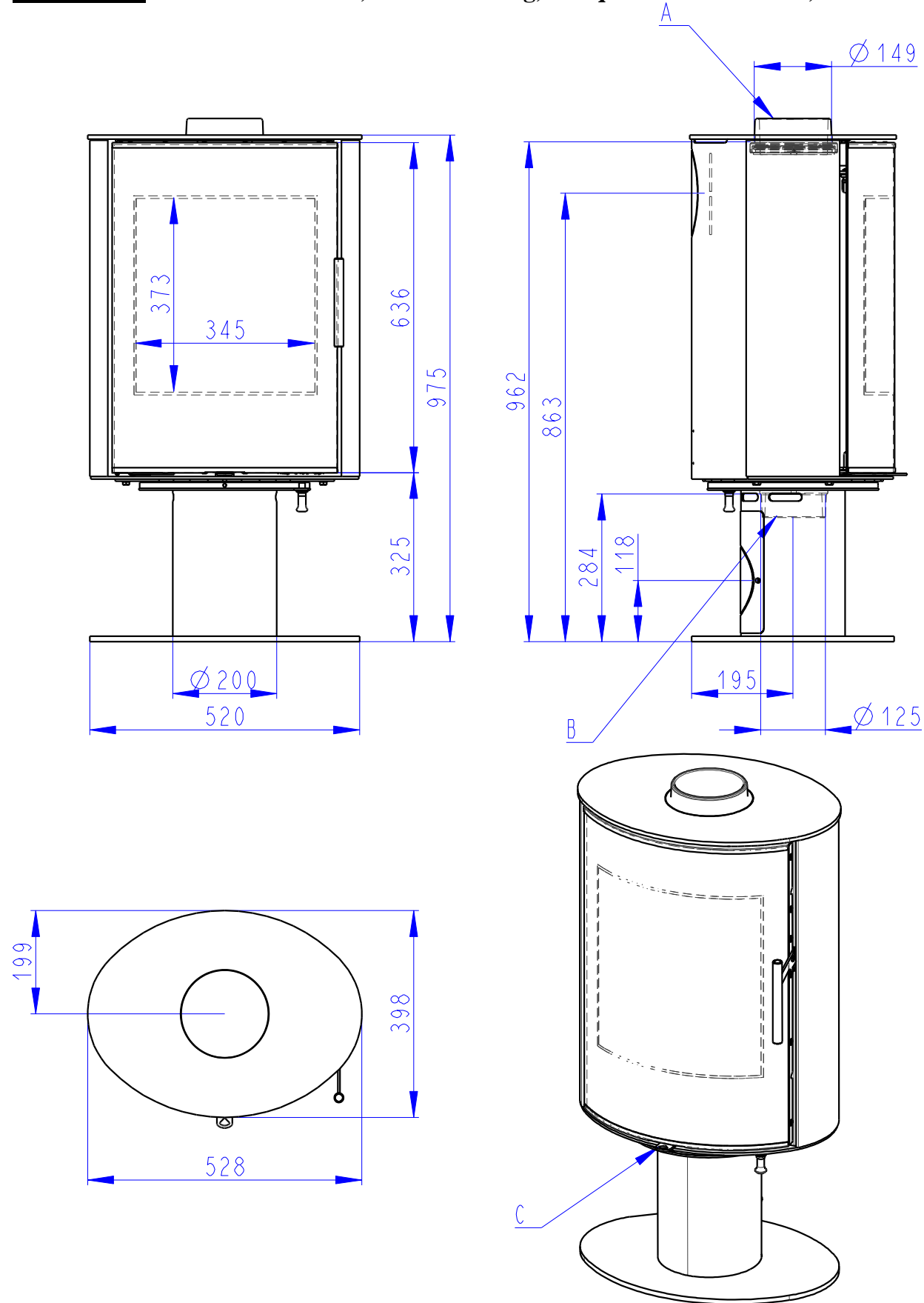
Technical Sheet, Technisches Datenblatt, Fiche technique, Scheda tecnica

EN	DE	FR	IT	
Dust at O ₂ = 13% (mg/Nm ³)	Staub bei O ₂ = 13 % (mg/Nm ³)	Poussière pour O ₂ = 13% (mg/Nm ³)	Polvere all'O ₂ = 13 % (mg/Nm ³)	15
The concentration of CO in the flue gases at O ₂ = 13% (mg/Nm ³)	CO Konzentration in den Abgasen bei O ₂ = 13% (mg/Nm ³)	Concentration en CO dans les résidus de combustion pour O ₂ = 13% (mg/Nm ³)	Concentrazione CO nei gas comburenti all'O ₂ = 13 % (mg/Nm ³)	1192
The concentration of CO in the flue gases at O ₂ = 13% (%)	CO Konzentration in den Abgasen bei O ₂ = 13% (%)	Concentration en CO dans les résidus de combustion pour O ₂ = 13% (%)	Concentrazione CO nei gas comburenti all'O ₂ = 13 % (%)	0,0954
CO ₂ (%)	CO ₂ (%)	CO ₂ (%)	CO ₂ (%)	9,59
OGC - O ₂ =13% (mg/m ³)	OGC - O ₂ =13% (mg/m ³)	OGC - O ₂ =13% (mg/m ³)	OGC - O ₂ =13% (mg/m ³)	68
NOx - O ₂ =13% (mg/m ³)	NOx - O ₂ =13% (mg/m ³)	NOx - O ₂ =13% (mg/m ³)	NOx - O ₂ =13% (mg/m ³)	111
Connection height for rear installation (mm)	Anschlusshöhe hinten (mm)	Hauteur de raccordement pour l'installation arrière (mm)	Altezza di collegamento per l'installazione posteriore (mm)	863
Flue pipe diameter (mm)	Rauchabfuhrdurchmesser (mm)	Diamètre du conduit de fumée (mm)	Diametro del condotto fumi (mm)	150
CAI diameter (mm)	CPV-Durchmesser (mm)	Diamètre de l'AAC (mm)	Diametro ACA (mm)	125
Dimensions of the combustion chamber HxWxD (mm)	Maße Feuerraum HxBxT (mm)	Dimensions de la chambre de combustion HxLxP (mm)	Dimensioni della camera di combustione AxLxP (mm)	399 x 344 x 294
Dimensions of the furnace door HxWxD (mm)	Maße Ofentür HxBxT (mm)	Dimensions de la porte du four HxLxP (mm)	Dimensioni della porta del forno AxLxP (mm)	-
Min. cross section of convect air inlet for nominal output (cm ²)	Min. Querschnitt der Konvektionsluftzufuhr f. die Nennleistung (cm ²)	Section min. de l'arrivée d'air de convection pour rendement nominal (cm ²)	Sezione minima dell'immissione di aria di convezione per la potenza nominale (cm ²)	-
Min. cross section of convect air outlet for nominal output (cm ²)	Min. Querschnitt des Konvektionsluftausgangs f. die Nennleistung (cm ²)	Section min. de la sortie d'air de convection pour rendement nominal (cm ²)	Sezione minima dell'uscita di aria di convezione per la potenza nominale (cm ²)	-
Door design (Right=1 / Left=2 / Sliding =3)	Türausführung (Rechts=1/Links=2/Schieben=3)	Réalisation de la porte (Droite=1 / Gauche=2 / Couissant = 3)	Versione dello sportello (Destra=1 / Sinistra=2 / estraibile = 3)	2
Back door design (No=0 / Right=1 / Left=2 / Sliding =3)	Hintertür Design (Nein=0 / Rechts=1 / Links=2 / Schieben = 3)	Conception de la porte arrière (Non =0 / Droite=1 / Gauche=2 / Couissant = 3)	Design della porta posteriore (No=0 / Destra=1 / Sinistra=2 / estraibile = 3)	0

Distance from flammable materials	Abstand von Brennstoffen	Eloignement des matériaux inflammables	Distanza da materiali infiammabili	
Side (mm)	Seitenwände (mm)	Latérale (mm)	Laterali (mm)	X ≥ 100
Side with glass (mm)	Seitenglas (mm)	Verre latéral (mm)	Vetro laterale (mm)	-
Back (mm)	Hinterwand (mm)	Arrière (mm)	Posteriore (mm)	Z ≥ 100
Front (mm)	Frontwand (mm)	Frontale (mm)	Anteriore (mm)	Y ≥ 800
From the ceiling (mm)	Von der Decke (mm)	Du plafond (mm)	Dal soffitto (mm)	V ≥ 1200

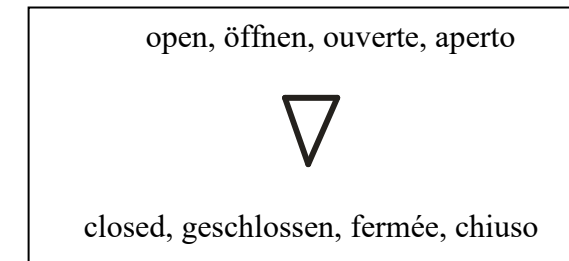
Supplied accessories	Mitgeliefertes Zubehör	Accessoires fournis	Accessori forniti	
Holder with magnet yes=1 / no=2	Handschuh mit Magnet ja=1 / nein=2	Gant de protection avec aimant oui=1 / non=2	Presina con calamita si=1 / no=2	1
Hook to open the ashtray yes=1 / no=2	Haken um den Aschenbecher öffnen ja=1 / nein=2	Crochet pour ouvrir le cendrier oui=1 / non=2	Agganciare per aprire il posacenere si=1 / no=2	2
Ashtray yes=1 / no=2	Aschenbecher ja=1 / nein=2	Cendrier oui=1 / non=2	Portacenere si=1 / no=2	1
Chimney brush yes=1 / no=2	Kaminbürste ja=1 / nein=2	Brosse à cheminée oui=1 / non=2	Spazzola camino si=1 / no=2	2
Automatic ventilation valve yes=1 / no=2	Automatisches Entlüftungsventil ja=1 / nein=2	Vanne d'aération automatique oui=1 / non=2	Valvola di scarico automatica si=1 / no=2	2
Cooling loop yes=1 / no=2	Thermischen Ablaufsicherung ja=1 / nein=2	Boucle de refroidissement oui=1 / non=2	Ciclo di raffreddamento si=1 / no=2	2
Cooling valve yes=1 / no=2	Abkühlventil ja=1 / nein=2	Vanne de refroidissement oui=1 / non=2	Valvola di raffreddamento si=1 / no=2	2
Cover with insulation yes=1 / no=2	Abdeckung mit Isolierung ja=1 / nein=2	Couvert avec isolation oui=1 / non=2	Copertura con isolamento si=1 / no=2	2

LAREDO T - Dimension sketch, Maßzeichnung, Croquis des dimensions, Dimensioni ingombro

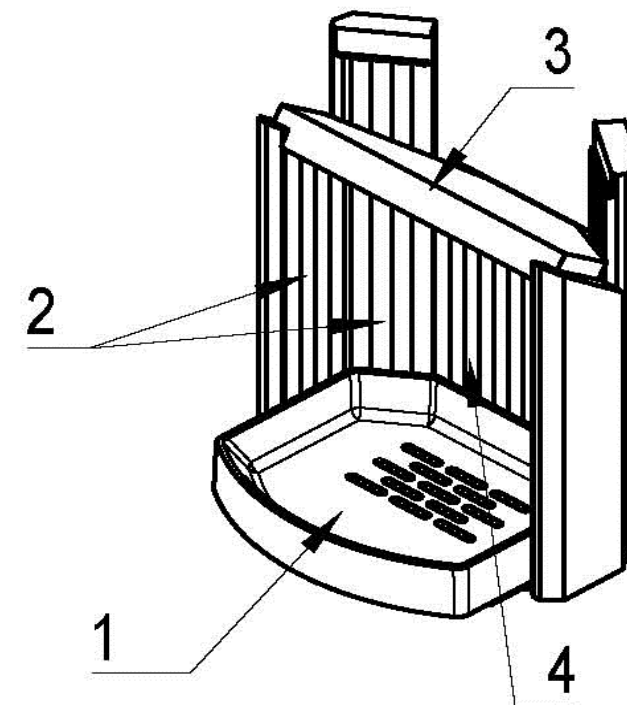


		Description EN:	Beschreibung DE:	Description FR :	Descrizione IT:
A	φ 150 mm	Flue throat	Flue Hals	Flue la gorge	Fumi gola
B	φ 125 mm	CAI inlet	CPV-Eingang	Entrée AAC	Ingresso ACA
C		Air regulation	Luftregulierung	Régulation d'air	Regolazione aria

Air regulation, Luftregulierung, Régulation d'air, Regolazione aria



Chamotte chamber, Schamottkammer, Âtre en chamotte, Camera chamotte



EN – Procedure for exchange of chamottes:

1. Incline and remove the ceiling chamotte - 3
2. Incline and remove the side chamottes - 2
3. Incline and remove the back chamottes - 4
4. Use the reverse order for re-assembly

Note: Cracks in the chamotte do not have any effect on the combustion and service life of the stove. The chamottes should not remain crumbled to the metal for prolonged periods of time.

Warning: When stoking logs, make sure they do not hit the chamottes hard to prevent damage!

DE - Vorgang beim Austausch der Schamottblöcke:

1. Deckenschamottblock neigen und herausziehen -
2. Seteinschamottblöcke neigen und herausziehen -
3. Rückwandschamottblöcke neigen und herausziehen - 4
4. Wiedereinbau in umgekehrter Reihenfolge

Bemerkung: Ein einzelner Sprung hat keinen Einfluss auf das Brennverhalten sowie die Haltbarkeit des Ofens. Die Schamottblöcke sollten nicht langzeitig bis auf das Blech herausgebröckelt bleiben.

Hinweis: Beim Zulegen mit den Holzscheiten nicht heftig an den Schamott stoßen und diesem hiermit beschädigen!

FR - Procédé pour changer les chamottes :

1. Basculer et retirer les chamottes de plafond - 3
2. Basculer les chamottes latérales et les retirer - 2
3. Basculer les chamottes arrière et les retirer - 4
4. Montage à l'envers dans l'ordre inverse

Remarque : Une fissure isolée sur la chamotte n'influe pas sur la combustion ni la durée de vie du poêle. Les chamottes ne devraient pas rester à long terme égrenées jusqu'à la tôle.

Avertissement : Rajoutez les bûches de façon à ce qu'elles ne frappent pas brusquement les chamottes, cela les abîmerait !

IT – Procedimento per la sostituzione dello chamotte

1. Inclinare ed estrarre lo chamotte superiore - 3
2. Inclinare ed estrarre gli chamotte laterali - 2
3. Inclinare ed estrarre gli chamotte posteriori - 4
4. Il rimontaggio si effettua nell'ordine inverso

Nota: Le eventuali screpolature dello chamotte non hanno alcuna influenza né sulla combustione né sulla vita utile della stufa. Si consiglia di non lasciare gli chamotte a lungo sgretolati fino alla lamiera.

Avvertimento: I pezzi di legno vanno applicati in modo tale da non farli urtare bruscamente contro lo chamotte, per evitare conseguenti danneggiamenti!

EN

General installation and operation manual for Romotop spol. s r.o. fireplace stoves

- valid in general for all types of fireplace stoves manufactured by Romotop spol. s r.o.
The attached technical sheet lists detailed technical data for each type of fireplace stove.

Installation of fireplace stoves may only be done by reseller authorized by Romotop spol. s r. o. .

The fireplace stoves may only be operated in accordance with this manual!

No unauthorized changes may be performed on the fireplace stoves!

1. Introduction
2. Technical description
3. Safety regulations
 - 3.1 Safe distances
 - 3.1.1 Safe distance of fireplace stoves from flammable materials
 - 3.1.2 Safe distance of flue pipes from flammable materials and building constructions
 - 3.2 Floor protection
 - 3.3 Chimney fire prevention measures
4. Assembly regulations
 - 4.1 General
 - 4.2 Chimney connection
5. Operation manual
 - 5.1 Fuel
 - 5.2 Starting the fireplace stove for the first time
 - 5.3 Kindling and firing
 - 5.4 Stoking fuel
 - 5.5 Operation during the transition period
 - 5.6 Ash removal
6. Cleaning and maintenance
 - 6.1 Cleaning the glass
 - 6.2 Cleaning the fireplace stoves / disassembly of chamotte
 - 6.3 Cleaning the chimney
7. Disposal of covers and the discarded product
8. Warranty

1. Introduction

Thank you for purchasing our fireplace stove and congratulations for becoming the owners of top-notch fireplace stoves by Romotop spol. s.r.o., one of the forefront European manufacturers of fireplace heaters.

Our fireplace stoves can function as additional heating to augment the atmosphere of your home or recreational building or as the main source of environmentally-friendly heating with high heat output, dust-free operation and perfect combustion. All fireplace heaters produced by our company are tested in accordance with ČSN EN 13 240/2002+A2/2005.

Please read through the manual and technical sheet thoroughly. The user is obliged to get properly acquainted with proper installation and operation of this device with regards to its safe operation. Please keep the manual and technical sheet so that you can brush up all the information necessary for the correct operation of your fireplace stove before each heating season.

We only provide a warranty on our products if all the instructions listed in this operation manual are adhered to.

2. Technical description

Fireplace stoves are intended for installation into various interiors (apartments, recreation buildings, restaurants). Romotop spol. s r.o. fireplace stoves are manufactured from quality construction materials – cast metal, CORTEN steel and quality construction and fittings steel, with stressed parts made of HARDOX steel. The surface of steel constructions is protected by a refractory opaque paint. Refractory paints are not anti-corrosive. The combustion chamber of full-plate fireplace stoves is padded by removable chamotte desks, which are not connected by any paste material to prevent damage by heat dilatation. The combustion chamber can be firmly closed by doors with special heat-resistant glass. The glass not only increases the aesthetics of the flickering flames, but also facilitates pleasant heat radiation. The glass also prevents the sparks from the burning wood and smoke from entering the room. The floor of the combustion chamber is usually equipped with a removable cast-iron grate. Usually, a barrier, or alternatively a sheet metal or ceramic mould, is placed in front of the grate to prevent the fuel falling and sliding onto the doors (front window). Grate fireplaces include room for an ashpan under the grate. Some types allow custom-configuration of the flue pipe throat for top- or back-side exhaustion. The fireplace stoves are manufactured with dual coating. The area between the coatings is used for air heating. The upper part of the outer coating includes vents for the heated air. The outer coating may include ceramics or stone to highlight the design and improve the heat accumulation properties of the fireplace stove. Some types of fireplace stoves have adapted the double-coating construction to heat warm service water with an optional connection to the standard heating system. These fireplace stoves may be equipped with a cooling loop to avoid overheating in case of power outages.

Fireplace stoves equipped with a separate intake of primary and secondary combustion air include the appropriate control elements. The primary air is taken to the burning fuel (usually through the ashpan and grate) and is used for primary combustion. The secondary air supports combustion of residual combustible gases in the exhaust, increasing the output of the heater and significantly reduces the amount of pollutants escaping into the atmosphere. The secondary air is mostly taken to the area above the burning fuel. Its presence causes the cold air to roll around the inner side of the front glass. This process simultaneously prevents the blackening of the front glass. The secondary air also participates in the primary combustion process when the primary air intake is partially or completely sealed. Keep the primary air intake fully open at the beginning of the combustion process, when the chimney draft is still weak. After the chimney heats up, you can partially or even completely close the primary air intake, based on the target output of the fireplace stove. It is also possible to reduce the fueling or limit the chimney draft by attaching a smoke shutter (a manual shutter in the flue pipe limiting the air intake to at most **75%**) to reduce the output of the fireplace stove. This is recommended especially for chimney draft around and above **20Pa**. The secondary damper is intended to fully close the stove when it is not in operation. The fireplace and ashpan covers must always be closed except for starting operation, adding fuel and removing solid combustion remnants to prevent exhausts entering the room.

Some fireplace stoves are equipped with a heat accumulation exchanger, improving the efficiency of the fireplace stoves and maximally utilizing the fuel energy.

Some fireplace stoves are manufactured with a External air intake (EAI). This allows air to flow into the combustion chamber in the fireplace stove from the exterior*, halls, technical rooms etc. Fireplace stoves with a EAI are not dependant on the amount of air in the heated area. Thus, they not only contribute to a pleasant atmosphere in your home, but also reduce energy expenses (since heated air already in the room is not consumed). When installing the External air intake (EAI) outlet to the wall, it is important to make sure that the pipe runs at a negative angle 3° from the product. EAI lines must be isolated.

Fireplace stoves with EAI are very suitable for installation into low-energy houses. It is also possible to equip the heating system of some fireplace stoves with EAI with electronic combustion regulation to increase comfort. This can additionally increase the combustion process and stoking intervals, increase operation safety and prevent uneconomic heating and over-heating of fireplace stoves (the shutter of the central air intake is controlled by a control unit and servomotor in relation to the current combustion phase and output exhaust temperature).

Warning: The fireplace stoves are not manufactured to provide continual heating and are intended for periodic interrupted operation, mostly due to the need to empty the ashpan when the ash has cooled down.

**When connecting to an external air intake (from the outside), it is recommended to install double-acting flap with a silicone cuff with possibility of closing air intake. This will prevent corrosion due to moisture condensation when the product is not in use. The warranty does not cover damage caused by corrosion! Attention, care must be taken to ensure that the damper is always open when the product is in operation!*

3. Safety regulations

The fireplace stoves may be used in normal environments in accordance with ČSN 33 2000-1 ed.2/2009. In case of change of environment that could cause a temporary danger of fire or explosion (e.g. gluing linoleum, PVC, working with paints, etc), the fireplace stove must be put out of operation in time, i.e. before the occurrence of the dangerous situation. Furthermore, the fireplace stoves can be used only after the room is thoroughly aired, preferably by wind draft.

A supply of sufficient amount of combustion air and room ventilation air must be ensured when the fireplace stoves are in operation, especially with another heat device running simultaneously (approx. 8 to 15 m³ for burning 1 kg of fuel)! When doors and windows are tightly sealed, this might not be the case! This is solved by a CAI connected into a separate room. The regulation grate for combustion, ventilation and heating air must not be obstructed. When stoking fuel, always open the door very slowly. You will prevent smoke and ash from escaping into the room. The fireplace stoves require casual attendance and inspection.

Flammable fuels must not be used for stoking or heating! In addition, burning plastic material of any kind, wood materials with various chemical bonding agents (chipboards, etc) or unsorted domestic waste with remaining plastics is prohibited by law no. 201/2012.

Make sure to prevent children from handling the fireplace stoves during heating. The fireplace stove may only be operated by an adult person!

During heating all handles and knobs must be operated using a pair of tongs, hook or by a hand protected by a glove (pot-holder) - there's a danger of burns! Objects made from flammable materials that could be set on fire must not be stored on the fireplace stoves during operation and while hot. Please pay special attention when handling the ashpan and when removing hot ash due to danger of burns! The hot ash must not get in contact with flammable objects - e.g. when throwing in communal waste containers.

When the fireplace stove is used only seasonally and with unfavorable draft or weather conditions, special attention must be paid when putting the stove into operation. When the fireplace stove is not in operation for a longer period of time, the flue ways must be checked for obstructions before further operation.

The appropriate safety regulations for fireplace stove operation and installation must be adhered to in accordance with ČSN 06 1008/1997, especially:

3.1 Safe distance:

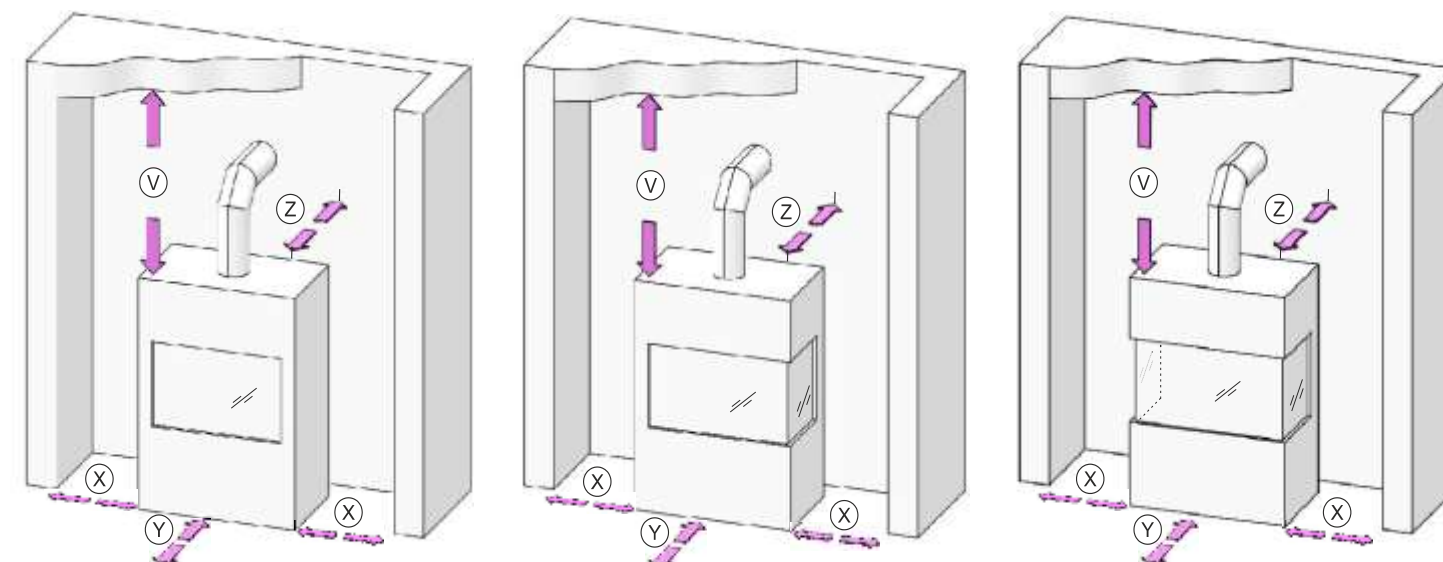
3.1.1 Safe distance of fireplace stoves from flammable materials

When installing the fireplace stove in a place containing flammable materials belonging to class B, C and D, the required safe distance in accordance with ČSN 06 1008/1997 is 80cm from doors and 20cm in other directions, unless otherwise specified by the manufacturer refer to the **Technical sheet and the Name plate**.

When installing the fireplace stove in a place containing flammable materials belonging to class E or F, the distance must be doubled. Information on the degree of flammability of certain building materials is listed in ČSN EN 13 501-1+A1/2010 and ČSN 73 0810/2016. When the prescribed safe distance of the heater from the flammable materials cannot be kept, it is necessary to use a protective screen according to 4.4.1 ČSN 06 1008/1997.

Building materials sorted based on their reactivity with fire	
A1 or A2	granite, sandstone, concrete, bricks, ceramic tiles, special plasters ...
B	akumin, Heraklith, Lignos, Itaver ...
C	hardwood, plywood, Sirkolit, hardened paper, umakart ...
D	softwood, chipboards, Solodur, cork boards, rubber, flooring ...
E or F	fibreboards, polysterene, polyurethane ...

Distance from flammable materials. Table Technical sheet



3.1.2 Safe distance of chimneys from flammable materials and building constructions

The safe distance from door case covers and similarly located building constructions from flammable materials and from pipeline installation including its insulation is at least 20cm. The safe distance from other flammable parts of the building construction at least 40cm according to ČSN 06 1008/1997. This includes building materials belonging to classes B, C and D as defined in ČSN EN 13501-1+A1/2010 (see table no.1) The same applies for walls and especially ceilings with plaster on a flammable surface, e.g. crates, planks, etc.! When the prescribed safe distances cannot be kept, the danger of fire must be prevented through construction solutions, non-flammable applications, heat-resistant insulations or protection screens.

3.2 Floor protection

Unless the fireplace stove is installed on a **100%** non-flammable floor, it is necessary to place the stove on a non-flammable insulation mat, e.g. metal plate (at least 2mm thick), ceramics, hardened glass, stone, in order to prevent the flammable floor to exceed a temperature of **50°C** during operation in accordance with **ČSN 73 4230/2014**.

According to 5.1.3.3 of **ČSN 06 1008/1997**, the insulation mat must exceed the fireplace by at least

- **30cm** in the vertical direction from the stove stoking door.
- **10cm** in the horizontal direction from the stove stoking door.

Items made of flammable materials may not be placed on top of or at a less-than-safe distance from the fireplace stoves.

3.3 Chimney fire prevention measures:

Ordinary operation, especially with humid fuel, leads to the settling of ash and tar in the chimney. Neglecting regular checking and cleaning of the chimney **in accordance with the government regulation no. 34/2016 Coll. from 22st January 2016** increases the danger of fire.

In case of ash or tar catching fire in the chimney, please follow this procedure:

- do not under any circumstances extinguish the fire with water as it would create an abnormal amount of steam and subsequently rip the chimney open
- if possible, the combustion chamber should be covered with dry sand, which will extinguish the fire
- close all intakes of air for combustion; if possible, cover the chimney. However, the smoke must not accumulate back in the house
- contact your nearest fire fighting brigade to assess the situation and the necessity to report it as a fire fighting emergency
- do not leave the house until the chimney is burned up; regularly check the chimney temperature and the course of combustion
- contact a chimney service before starting a new fire in the stove to assess the state of the chimney and also contact the manufacturer of the fireplace stove for inspection.

4. Assembly regulations

Warning: All local regulations, including regulations concerning national and European standards for this type of appliances, must be adhered to:

- ČSN 73 4230/2014 - Fireplaces with open and closable furnace
- ČSN EN 13229/2002+A1/2003+A2/2005 - Built-in heating appliances and open fire inserts for solid fuel
- ČSN EN 13240/2002+A2/2005 - Room heaters fired by solid fuel
- ČSN 73 4201/2016 ed.2 - Chimneys and connecting flue pipes - Design, construction and installation of heating appliances
- ČSN EN 1443/2004 - Chimneys – General requirements
- ČSN EN 13501-1+A1/2010 - Fire classification of construction products and building elements
- ČSN 06 1008/1997 - Fire protection of heating appliances
- Decree No. 268/2011 Coll. - Technical conditions of fire protection of buildings

4.1 General

The fireplace stoves must be installed on a floor with an adequate bearing capacity. If the existing arrangement does not meet this basic requirement, necessary steps must be taken (e.g. using a mat for distributing the load). Make sure that there is enough space for cleaning the fireplace stove, connecting flue

pipes and the chimney unless the chimney can be cleaned from other place, e.g. a roof or through doors designed for this purpose.

4.2 Chimney connection

Before assembling the closed fireplace stove it is necessary to calculate that the chimney construction will be suitable for the installed fireplace stove nominal output as far as design, vent size and effective height are concerned.

A suitable chimney (minimum profile, chimney draft, tightness, etc.) is a basic condition for the proper functioning of the fireplace stoves. You should therefore contact a chimney sweeper before installing the fireplace stove. Chimney values are included in the attached technical sheet. A smoke shutter or a draft regulator should be installed for chimneys with too strong a draft. Such a draft can cause problems during operation, e.g. intensive burning, high fuel consumption and can also lead to permanent damage of the fireplace stove.

The minimum effective height of the chimney for exhaust gas from the stove is **5m** (measured from the hoop to the chimney mouth). The chimney entry must be equipped with a chimney hoop. Consult the vent connection with the vent manufacturer. The vents must lead at least **5cm** below the lower ceiling. Connect the flue mouth with the chimney in the shortest possible way so that the flue length is at most **1/4** of the effective height of the chimney (i.e. **1.5m**). Connect the flue tube and the knee together with an overlap in such a way that the connections always agree with the exhaust gas flow, or abut using the connection rings. If the connecting piece passes through construction elements with flammable materials, it is necessary to use protective measures in accordance with **ČSN 06 1008/1997**. The norm states that the flue pipe needs to rise to the vents in the direction of exhaust flow with a degree of at least **3°**. The tightness and firmness of the joints is crucial. The chimney and stove connection must adhere to **ČSN 73 4201/2016 ed.2**. The casing of the chimney must not exceed a temperature of **52°C** during the highest operation temperature of the stove. The cross section of the flue pipe vents must not be larger than the cross section of the chimney vent and it must not narrow down in the direction of the chimney. If calculations show that the cross section of the flue pipe and chimney vent could be smaller than the cross section of the exhaust throat of the fireplace stove, the cross section of the flue pipes will be lowered immediately behind the exhaust throat of the fireplace stove, either gradually or at a discrete point. The flexible flue pipe from the materials in accordance with table **A.1**. may only be used in places where it may be checked in accordance with **7.2.1 ČSN 73 4201/2016 ed.2**, and unless the flue pipe leads through an open air its checkability must be ensured in accordance with **7.2.5 ČSN 73 4230/2014**. A vertical flue pipe may only be used in the cases listed in **8.3.4 and 8.3.5 ČSN 73 4230/2014**.

The fireplace stove may be connected to a shared vent with a gas appliance for multi-layer chimneys in accordance with **ČSN 73 4201/2016 ed.2**.

Leakage of water into the product when using a vertical flue with a chimney function is not a reason for a complaint!

When installing ROMOTOP spol. s r.o. fireplace stoves in the FRG in compliance with article **6.2.2** of the **DIN 18 896** norm, the fireplace stoves can be connected to a shared chimney.

5. Operation manual

5.1 Fuel

It is only allowed to burn wood in fireplace stoves in accordance with law **No. 201/2012 Coll.**. To reach the nominal parameters of the heater, we recommend using dry logs with a diameter of **5-8 cm** and length of **20-30 cm** and with a humidity below **20%** (ideally **10%**). Oven wood and chopped pieces of wood should be used only when starting the fire. Recommended humidity can be obtained by storing the chopped logs for at least two years in a ventilated shelter.

The fireplace stove should be heated to a nominal output stated in the technical sheet, i.e. the burning of a given amount of allowed fuel per **1 hour**. Long-term excessive output could damage the fireplace stove.

Never use flammable fluids, coke, coal or any of the following types of waste as fuel: chipboards, plastics, plastic bags, soaked wood or wood-shavings, saw-dust or pellets!

!!!Burning of the abovementioned material not only highly pollutes our environment but also damages the fireplace stove and the chimney!!!

5.2 Starting the fireplace stove for the first time

Before the first use all remaining stickers must be removed, all accessories must be taken out of the ashpan or fireplace and the same applies for the transport safety pins. **All plastic cover plugs on threaded connections are not functional, they are only used for transport.** Check that bulk shutters for directing the draft, chamotte tiles and the barrier are set correctly (as they might have slipped from their correct positions during transport or installation). Repair any defects you might find in setting, otherwise the proper functioning of the heater is endangered. After setting the fireplace stove, connecting it to the chimney and, if need be, connecting the exchanger to the warm-water set and filling it with a heat-carrying medium, start heating slowly and continue for at least two hour. Leave the stoves and ashpan doors open (**approx 10-20mm**) before and during the first heating in order to prevent the sealing material to mix with the paint. The fireplace surface is covered with heat-resistant paint. During the first heating, after becoming temporarily soft, the paint will eventually become hardened. During the soft phase the paint surface is more vulnerable to being damaged by a hand or other object. During the first heating the fireplace stove should be "heated up" with a small flame, burning only a small amount of fuel with a lower temperature. **The entire process of first putting the product into operation is done with the maximum opening of the air supply. Therefore, the first two loadings of fuel should correspond to the bottom limit of the recommended fuel batch (see table "TECHNICAL SHEET").** All materials must get used to the heat load. You will prevent cracks in chamotte bricks, damage of the paint or deformation of the insert materials by a careful first heating. **Following loadings of fuel should then correspond to the maximum allowed fuel batch (see table "TECHNICAL SHEET") for about 5 to 6 hours. Thanks to these high temperatures (maximum performance), the paint is reinforced.** Hardening of the paint on the fireplace stove might be accompanied by a temporary smell, which will disappear after a while.

Make sure the room is properly aired when burning the paint. Furthermore, ensure that no small animals or birds are present in the room containing paint exhausts. We also recommend turning off aquariums air intakes during the first heating.

5.3 Kindling and firing

1. **Fireplace stoves with grate** - first put crumpled paper into the chamber and then lay chopped wood on it. You can also use the solid fire-starter to start the fire. After starting fire, let it burn freely with all air regulation elements open. **It is forbidden to use flammable liquid (oil, petroleum, etc.) for starting fire!** After the fire begins to burn and the draft is strong enough, bigger logs might be added without the danger of smoke. Continue stoking the amount of fuel determined based on the nominal output of the fireplace stove.

2. **Fireplace stoves without grate** - only secondary air is used for burning; therefore wood logs need to be stoked first, then chopped wood and finally small cuttings and paper. After starting fire, let it burn freely with all air regulation elements open. **It is forbidden to use flammable liquid (oil, petroleum, etc.) for starting fire!** After the fire begins to burn and the draft is strong enough, bigger logs might be added without the danger of smoke. Stoke no more than the amount of fuel determined based on the nominal output of the fireplace stove.

Fuel consumption is always stated in the technical sheet. Burning intensity is regulated by air intake controls or, if a smoke shutter is installed, by limiting the draft in the chimney. Larger amount of fuel or a strong draft and air take might cause overheating and damage of the fireplace stove. Too weak draft leads to glass blackening or to a smoke escaping into the room when opening the door and stoking fuel.

Warning: Fireplace doors must always be closed, with the exception of the first heating, stoking fuel and removing ash. When the fireplace stove is not in operation for a longer period of time, it is necessary to check that the flue pipes, chimney and combustion chamber are clear. In general, the heating up and cooling of the fireplace insert is accompanied by a specific sound; this is intended.

5.4 Stoking fuel

In order to prevent smoke escaping into the room when stoking fuel, please follow the following procedure: Approximately 5 or 10 seconds before opening the fireplace doors open the air intake regulators and then only slightly open the stoking doors, wait for few seconds for the exhaust gas to get sucked into the chimney and only then fully open the door. When opening the stoking door, a special attention must be paid to the danger of hot fire-brands falling out. After stocking fuel, close the door again. After the fuel starts burning (with clear fire), return the regulator back to its original position. The amount of stoked fuel should correspond to an hourly consumption value for the concrete fireplace stove (see the technical sheet). Overheating can permanently damage the fireplace stove construction.

Warning: To prevent exhaust gas escaping into the room during stoking add fuel after its burning down on the glowing base.

5.5 Operation during the transition period

The chimney draft (sucking exhaust gas from the fireplace stove) might be weaker during the transition period, i.e. when the outside temperature is higher than **15°C**, during rainy and humid days or during gusty winds. During this period the fireplace stove should be operated with the minimum possible fuel so that the fire, as well as the chimney draft could be improved by opening the air intakes.

Tip: During this period a so-called atmospheric plug can be created in the chimney mouth due to the draft conditions. The plug can cause smoke escaping into the room when lighting fuel. We recommend letting a piece of paper burn down preferably in the upper part of the combustion chamber before lighting the kindling. This seemingly negligible smoke is enough to break through the atmospheric plug. Afterwards you can freely light paper (or solid fire-starter) and be sure that even a humid chimney is clear.

In this period it is also possible to use the same lighting method as for the fireplace stoves without grate (with no ashpan).

5.6 Ash removal

Make sure that the ashpan is cleaned when being half full in order to prevent the ash reaching too close to the grate and thus damaging it. At the same time the ash would block the intake of air required for burning. Removing ash from the ashpan should be carried out when the fireplace stove is cold and preferably ready for the next heating. A vacuum cleaner designed for cleaning ash with a filter for small filth can be also used for cleaning the cold ashpans or heater without ashpans. Ash from burnt wood can be used for composts or fertilizing. Store the ash in closed non-flammable containers.

Warning: Make sure that the ash does not contain any glowing remains of wood that could cause fire in the waste container.

Warning: For some fireplace stove types the ashpan is located in a basin under the grate and cannot be removed from the side. The ashpan can be removed only when the heater is cold and not in operation. The ashpan is accessible after lifting the grate.

Be careful when removing hot ash!

6. Cleaning and maintenance

Your fireplace stove is a high-quality product and no significant defects will appear during normal operation. Fireplace stove and flue system need to be checked and cleaned regularly and thoroughly before and after the heating season.

For cleaning and maintenance work you always have to make sure that the stove is not warm!

The surface of the fireplace stove is protected by flame-retardant coating. The flame-retardant coating is not anticorrosive. Avoid direct contact with water, other cleaning agents, abrasives or solvents.

Clean the surfaces of the fireplace stove with a soft, dry cloth!

6.1 Cleaning the glass

The cleanliness of the window is influenced not only by the using of suitable fuel, providing sufficient air intake and chimney draft but also by the method of operating the fireplace stove. In this respect we recommend stoking only one layer of fuel and distributing the fuel as evenly as possible and as far from the glass as possible. If the glass becomes dirty, try increasing the burning intensity by opening the air intake and the glass will clean itself.

Sooty windows can be cleaned in cold state using newspapers or wet cloth dipped in wood ash. Usually also liquid cleaning agents are used for cleaning the stove window. But these may in some cases, depending on the composition of the cleaning agent and its interaction with combustion residues (ash particles, etc.), harm the gaskets and/or the glass-ceramics and/or the decoration colour of the fireplace viewing panel.

The producer is not responsible for damages, which are caused by attack in using of chemical agents.

6.2 Cleaning the fireplace stoves / disassembly of chamotte

All sediments in flue pipes and combustion space must be removed during cleaning. Repair, ideally by removing, all fallen-off parts of the chamotte lining. The integrity of the chamotte lining must be monitored also during the heating season. Spaces between individual chamotte fittings serve as a heat dilatation preventing cracking of the fittings and must not be filled by filling material as was usual with older types of solid fuel heaters. **Cracked chamotte fittings are still functional until they fall out!** Bulk shutter for directing the draft, if used, should be removed during cleaning (this enables easier access to the space above them). The fireplace stove cleaning (with the exception of glass) should be done without water cleaner, i.e. using only vacuum cleaner or steel brushes. Any modifications of the fireplace stove are unacceptable. Use only spare parts approved by the manufacturer. Disassembly of chamotte (see the Chamotte chamber). From time to time the friction areas of the door hinge and the closing mechanism should be oiled using carbonic fat or grease designed for high temperatures. Close the fireplace stove with corresponding slide valves when not in operation.

6.3 Cleaning the chimney

Each user of a solid fuel heater is obliged to ensure regular checkups and cleaning of the chimney **in accordance with the government regulation no. 34/2016 Coll. from 22st January 2016.**

7. Disposal of covers and the discarded product

Packaging and the discarded product should be liquidated in accordance with law no. 125/1997 Coll. and related regulations.

Packaging:

- a) wooden parts can be used for heating
- b) plastic package is to be placed into a container for sorted waste
- c) screws and handles are to be taken to a waste collection station
- d) bag with the separator of air humidity is to be placed to separated waste

Discarded product:

- b) dismantled glass is to be placed into a container for sorted waste
- b) sealing and chamotte boards are to be placed into communal waste
- c) metal parts are to be taken to a waste collection station

8. Warranty

Remember to read the attached guarantee certificate before you put your stove in operation. It contains information about obligations that must be met for possible guarantee claims to be recognized.

The guarantee does not cover damage caused by incorrect operation.

DE Allgemeine Einbau- und Bedienungsanleitung für Kaminöfen der Firma Romotop GmbH

- gilt allgemein für alle, von der Firma Romotop GmbH hergestellten Kaminöfen.
Im anliegenden technischen Datenblatt sind ausführlich technische Daten des jeweiligen Kaminofentyps angeführt.

Die Montage, der Anschluss und die Inbetriebnahme des Ofens darf nur von autorisiertem Händler Romotop GmbH durchgeführt werden.

Die Kaminöfen dürfen nur nach dieser Anleitung betrieben werden!

Es ist nicht zulässig, bei den Kaminöfen beliebige Anpassungen vorzunehmen!

1. Einleitung
2. Technische Beschreibung
3. Sicherheitsvorschriften
 - 3.1 Sicherheitsabstände
 - 3.1.1 Sicherheitsabstand eines Kaminofens im Raum von brennbaren Werkstoffen
 - 3.1.2 Sichere Abstände der Rauchgasleitungen von brennbaren Werkstoffen und Baukonstruktionen
 - 3.2 Fußbodenschutz
 - 3.3 Maßnahmen bei Kaminbrand
4. Montagevorschriften
 - 4.1 Allgemein
 - 4.2 Anschluss an den Kamin (Schornstein)
5. Bedienungsanleitung
 - 5.1 Brennstoff
 - 5.2 Erste Inbetriebnahme des Kaminofens
 - 5.3 Einheizung und Heizung
 - 5.4 Brennstoffzulegung
 - 5.5 Betrieb im Laufe des Übergangszeitraum
 - 5.6 Beseitigung der Asche
6. Reinigung und Instandhaltung
 - 6.1 Reinigung der Glasscheibe
 - 6.2 Reinigung des Kaminofens / Ausbau der Schamottblöcke
 - 6.3 Reinigung des Kamins
7. Entsorgung der Verpackung und des ausgesondertes Produkts
8. Die Garantie

1. Einleitung

Wir bedanken uns bei Ihnen, dass Sie eben unseren Kaminofen beschafft haben und gratulieren Ihnen zugleich herzlich, denn Sie sind zum Inhaber eines Qualitätskaminofens der Firma Romotop GmbH, eines führenden europäischen Kaminofenherstellers geworden.

Unser Kaminofen kann nicht nur als eine zusätzliche Heizung dienen, welche die Atmosphäre Ihres Heims bzw. Ihres Erholungsobjekts steigert, sondern auch als Hauptwärmequelle mit hoher Heizleistung, staublosem Betrieb und vollkommener, umweltfreundlicher Verbrennung. Alle von unserer Firma hergestellten Kaminöfen werden gemäß **ČSN EN 13 240/2002+A2/2005**.

Lesen Sie die Anleitung und das technische Datenblatt im eigenen Interesse sorgfältig durch. Bezüglich des sicheren Betriebs hat sich der Benutzer ordnungsmäßig über den richtigen Einbau und Betrieb dieser Einrichtung zu informieren. Bewahren Sie die Anleitung und das technische Datenblatt auf, um zu Beginn jeder Heizsaison wieder die erforderlichen Kenntnisse für die richtige Bedienung Ihres Kaminofens auffrischen zu können.

Garantie für unsere Produkte gewähren wir nur im Falle, dass Sie die in dieser Bedienungsanleitung des Kaminofens angeführten Anweisungen einhalten.

2. Technische Beschreibung

Der Kaminofen ist für den Einbau in unterschiedliche Innenräume (Wohnungen, Wochenendhäuser, Restaurants) bestimmt. Die Kaminöfen Romotop GmbH werden aus hochwertigen Werkstoffen hergestellt - Gusseisen, CORTEN-Stahl und aus Qualitätsbaustahl und Kesselstahl, die hoch belasteten Bauteile werden aus HARDOX-Stahl produziert. Die Stahlkonstruktionsoberflächen sind mit feuerfestem Mattlack geschützt. Der feuerfeste Lack ist nicht korrosionsbeständig. Der Brennraum des Vollblech-Kaminofens ist mit herausnehmbaren Schamottplatten ausgekleidet, die nicht mit Füllmasse verbunden sind, um deren Beschädigung infolge von Wärmedehnungen vorzubeugen. Der Brennraum ist mit einer Tür mit speziellem feuerfestem Glas versehen. Das Glas erhöht nicht nur das ästhetische Erlebnis beim Anblick des lodernen Feuers, sondern ermöglicht auch eine angenehme Übertragung der Wärmestrahlung. Das Glas verhindert zugleich das Herausfallen von Teilen des brennenden Holzes und Austritt von Rauch in den Raum. Der Feuerraumboden ist in der Regel mit einem herausnehmbaren Eisengussrost versehen. Vor dem Rost ist in der Regel eine Sperre gegen das Herausfallen und Abrutschen des Brennstoffs auf die Tür (Türscheibe) ggf. eine Blech- bzw. Keramikmulde angebracht. Bei Feuerräumen mit Rost befindet sich unter dem Rost ein Raum für den Aschekasten. Bei bestimmten Kaminofentypen kann der Abgasrohrstutzen nach Bedarf für obere sowie untere Rauchabführung eingestellt werden. Die Kaminöfen werden in Doppelmantelausführung hergestellt. Der Raum zwischen den Mänteln wird zur Lufterwärmung genutzt. Der Außenmantel ist im oberen Bereich mit Warmluftausströmern versehen. Der Außenmantel kann mit Keramik bzw. Stein verkleidet werden, um den Design zu prägen und die Wärmespeichereigenschaften des Kaminofens zu verbessern. Bei bestimmten Kaminofentypen ist die Doppelmantelkonstruktion der Erwärmung von warmem Brauchwasser angepasst, mit der Anschlussmöglichkeit an ein standardmäßiges Heizsystem. Diese Kaminöfen können mit einer Abkühl Schleife gegen Überhitzung bei einem Stromausfall bestückt werden.

Kaminöfen, die mit getrennter Primär- und Sekundärverbrennungsluft versehen sind, sind mit entsprechenden Bedienungselementen ausgestattet. Die Primärluft wird direkt zum brennenden Brennstoff geführt (in der Regel durch den Aschekasten und Rost) und diese dient der primären Verbrennung. Die Sekundärluft unterstützt die Verbrennung der restlichen brennbaren Gase im Rauchgas, infolgedessen die Heizleistung des Kaminofens erhöht wird, was grundsätzlich den Austritt von Rauchgasemissionen in die Atmosphäre reduziert. Die Sekundärluft wird vor allem in den Raum über dem brennenden Brennstoff geführt. Durch die Sekundärluft wird die kalte Luft auf der Innenseite der Frontscheibe mitgerissen. Dieser Prozess verhindert zugleich das Verrußen der Glasscheibe. Die Sekundärluft beteiligt sich beim Sperren der Primärluft ebenfalls an der primären Verbrennung. Lassen Sie die Primärluftzufuhr beim Anheizen, bei dem noch niedriger Kaminzug vorhanden ist, ganz offen. Nach dem Erwärmen des Kamins können Sie die Primärluftzufuhr zum Teil bzw. ganz sperren, je nach der erforderlichen Leistung des Kaminofens. Für die Leistungsreduzierung des Kaminofens kann auch eine niedrigere Brennstoffmenge gewählt bzw. der Kaminzug durch den Einbau einer

Rauchklappe (manuelle Sperrklappe in der Rauchabfuhr, die den Luftkanal max. zu **75%** versperrt) reduziert werden. Das ist vor allem bei einem Kaminzug um und über **20 Pa** empfehlenswert. Der Sekundärluftschieber ist für vollständiges Sperren des Kaminofens außer Betrieb bestimmt. Der Feuerraum und die Aschekastenabdeckung müssen stets geschlossen sein, mit Ausnahme der Inbetriebnahme, Brennstoffzulegung und Beseitigung fester Verbrennungsreste, um den Rauchgasaustritt in den Raum zu verhindern.

Bestimmte Kaminofentypen sind mit einem Wärmespeichertauscher versehen, was anschließend deren Leistung erhöht und der zur maximalen Nutzung der Brennstoffenergie beiträgt.

Bestimmte Kaminofentypen werden mit zentraler Luftzufuhr (**ZLZ**) hergestellt. Diese ermöglicht die Zufuhr von Verbrennungsluft in den Feuerraum vom Außenbereich*, aus Fluren und Technikerräumen. Ein Kaminofen mit **ZLZ** ist nicht von der Luftmenge im beheizten Raum abhängig. Sie leisten somit nicht nur einen Beitrag zur Erhaltung eines angenehmen Klimas in Ihrem Heim, sondern reduzieren auch die Energiekosten (im Haus wird die bereits einmal erwärmte Luft nicht verbraucht). Bei der Installation des zentralluftzufuhr (**ZLZ**) an der Wand ist darauf zu achten, dass das Rohr in einem negativen Winkel **3°** zum Produkt verläuft. **ZLZ**-Leitungen müssen isoliert sein.

Kaminöfen mit **ZLZ** sind für den Einbau in energiearme Häuser äußerst geeignet. **Für Erhöhung des Komforts kann das Heizsystem bestimmter Kaminöfen mit ZLZ mit elektrischer Verbrennungsregelung versehen werden.** Diese ermöglicht, zusätzlich den Verbrennungsprozess und Zulegungsintervall zu verlängern und die Betriebssicherheit zu erhöhen und somit unwirtschaftliche Heizung und Überheizung des Kaminofens zu verhindern (die Klappe der zentralen Luftzufuhr wird mit einer Steuerungseinheit mit Servomotor in Abhängigkeit von der augenblicklichen Verbrennungsphase und Austrittstemperatur der Rauchgase gesteuert).

Hinweis: Kaminöfen haben nicht den Charakter einer Dauerbrandheizung und sind für periodische Betriebsunterbrechung bestimmt, vorwiegend wegen Entleerung des Aschekastens, die bei ausgekühlter Asche vorzunehmen ist.

**Beim Anschluss an eine externe Luftzufuhr (vom Außen) empfehlen wir eine doppeltwirkende Klappe mit einer Silikonmanschette zu installieren, mit der Möglichkeit die Luftzufuhr zu schließen. Dies verhindert Korrosion aufgrund von Feuchtigkeit Kondensation, wenn das Produkt außer Betrieb ist. Die Garantie bezieht sich nicht auf Schäden, die durch Korrosion verursacht werden!*

Es ist darauf zu achten, dass der Dämpfer immer geöffnet ist, wenn das Produkt in Betrieb ist!

3. Sicherheitsvorschriften

Die Kaminöfen dürfen in normaler Umgebung gemäß **ČSN 33 2000-1 ed.2/2009** benutzt werden. Bei einer Änderung dieser Umgebung, bei der auch vorübergehende Brand-, bzw. Explosionsgefahr entstehen könnte (z. B. bei Verlegung von Linoleum, PVC, bei der Arbeit mit Anstrichmitteln, u. ä.) ist der Kaminofen rechtzeitig, vor der Entstehung der Gefahr, außer Betrieb zu setzen. Der Kaminofen darf danach erst nach gründlicher Lüftung des Raums, am besten mit Zugluft, wieder in Betrieb gesetzt werden.

Beim Betrieb ist die Zufuhr einer ausreichenden Verbrennungsluftmenge und Luft zum Lüften des Raums sicherzustellen, vor allem bei parallelem Betrieb mit einer anderen Wärmeeinrichtung) (ca. **8 bis 15 m³** für das Verbrennen von 1 kg Brennstoff)! Bei gut abgedichteten Fenstern und Türen muss es nicht der Fall sein! Dieses Problem wird mittels der aus einem getrennten Raum angeschlossenen **CPV** geregelt. Ebenfalls das Gitter der Verbrennungs-, Lüftungs- und Heizluft darf nicht verstopft werden. Öffnen Sie die Tür beim Zulegen des Brennstoffs stets langsam. Sie verhindern somit den Austritt von Rauch und Asche in den Raum. Der Kaminofen erfordert zeitweilige Bedienung und Beaufsichtigung.

Für das Einheizen und Heizen dürfen keine brennbaren Flüssigkeiten benutzt werden! Es ist weiter verboten, beliebige Kunststoffteile, Holzwerkstoffe mit chemischen Bindemitteln (Holzspanwerkstoffe, usw.) und ebenfalls unsortierten Kommunalabfall mit Kunststoffresten u. ä. gemäß **Gesetz 201/2012** zu verbrennen.

Achten Sie beim Heizen darauf, dass mit dem Kaminofen keine Kinder manipulieren. Der Kaminofen darf nur von Erwachsenen bedient werden!

Bedienen Sie beim Betrieb alle Handgriffe und Knöpfe mit Hilfe einer Zange, eines Hakens bzw. mit der behandschuhten Hand - Verbrennungsgefahr! Es ist verboten, auf den Kaminofen während des Betriebs und

solange er warm ist, beliebige brennbare Gegenstände abzulegen, die einen Brand verursachen könnten. Lassen Sie bei dem Umgang mit dem Aschekasten und bei der Beseitigung heißer Asche erhöhte Vorsicht walten, es besteht Verbrennungsgefahr. Heiße Asche darf nicht in Kontakt mit brennbaren Gegenständen kommen - z. B. bei Schütten der Asche in Gefäße für den Kommunalabfall.

Bei saisonbedingter Benutzung und bei schlechten Zug- bzw. Witterungsbedingungen ist erhöhte Aufmerksamkeit der Inbetriebnahme des Kaminofens zu widmen. Bei einer längeren Betriebsunterbrechung vor erneutem Einheizen ist zu überprüfen, ob die Rauchwege nicht verstopft sind.

Beim Betrieb und Einbau des Kaminofens sind Sicherheitsvorschriften lt. ČSN 06 1008/1997 einzuhalten, vor allem:

3.1 Sicherheitsabstände:

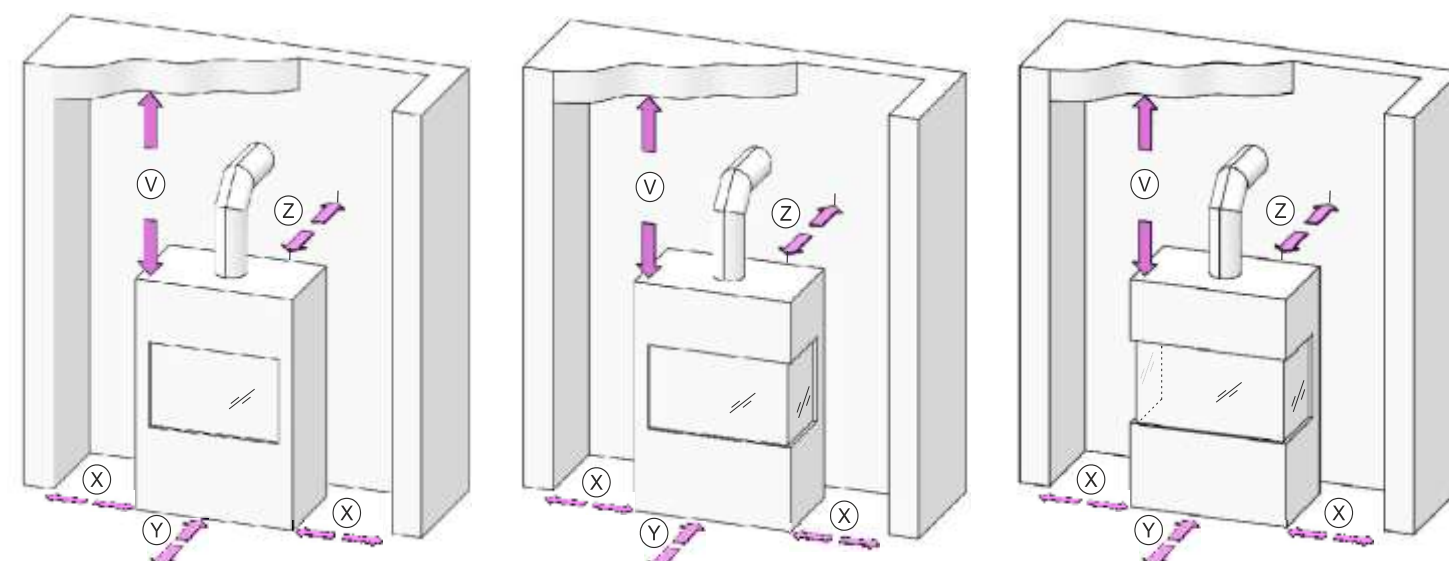
3.1.1 Sicherheitsabstand eines Kaminofens im Raum von brennbaren Werkstoffen

Beim Einbau des Kaminofens im Raum mit brennbaren Gegenständen der Klasse **B, C** und **D** ist der Sicherheitsabstand gemäß **ČSN 06 1008/1997** von der Kaminofentür **80 cm** und in sonstigen Richtungen **20 cm** einzuhalten, falls vom Hersteller nicht etwas anderes festgelegt ist, siehe **Technisches Datenblatt** und **Typenschild**.

Beim Einbau des Kaminofens im Raum mit brennbaren Gegenständen der Klasse **E oder F** sind diese Abstände zu verdoppeln. Informationen über die Brennbarkeitsstufen bestimmter Baumaterialie sind der **ČSN EN 13 501-1+A1/2010** und **ČSN 73 0810/2016** zu entnehmen. Ist es nicht möglich, den von der Norm vorgeschriebenen Sicherheitsabstand des Kaminofens von brennbaren Stoffen einzuhalten, ist eine Schutzblende lt. **4.4.1 ČSN 06 1008/1997** zu verwenden.

Einstufung von Baustoffen nach der Brennbarkeitsstufe	
A1 oder A2	Granit, Sandstein, Beton, Ziegelsteine, keramische Fliesen, spez. Putz ...
B	Akumin, Heraklit, Lihnos, Itaver ...
C	Laubholz, Sperrholz, Sirkoklit, Hartpapier, Umakart ...
D	Weichholz, Holzspanplatten, Solodur, Korkplatten, Gummi, Fußbodenbelag ...
E oder F	Holzfasernplatten, Styropor, Polyurethan ...

Abstand von Brennstoffen. Tabelle Technisches Datenblatt



3.1.2 Sichere Abstände der Rauchgasleitungen von brennbaren Werkstoffen und Baukonstruktionen

Sicherer Abstand von Türzargenverkleidungen u. ä. angeordneten Baukonstruktionen aus brennbaren Werkstoffen und von Rohrleitungsinstrumenten, einschl. deren Dämmungen ist mind. **20 cm**. Von sonstigen Konstruktionsteilen aus brennbaren Werkstoffen mind. **40 cm** gemäß **ČSN 06 1008/1997**. Es handelt sich um Baustoffe der Klasse **B, C** und **D** laut **ČSN EN 13501-1+A1/2010** (siehe Tabelle Nr. 1). Das gilt auch für Wände und hauptsächlich für Decken mit Putz auf brennbarem Untergrund, z. B. auf Latten bzw. auf Schilf u. ä. Können diese Abstände nicht eingehalten werden, ist mit Hilfe von bautechnischen Maßnahmen, unbrennbaren Verkleidungen, wärmebeständigen Dämmungen und Schutzblenden die Brandgefahr vorzubeugen.

3.2 Fußbodenschutz

Ist der Kaminofen nicht auf **100%** unbrennbarem Fußboden eingebaut, ist er auf eine unbrennbare Unterlage zu stellen, z. B. Blech (Dicke mind. 2 mm), Keramik, Hartglas, Stein, so dass die Temperatur des brennbaren Fußbodens lt. **ČSN 73 4230/2014** beim Betrieb nicht **50°C** überschreitet.

Gemäß 5.1.3.3 **ČSN 06 1008/1997** muss die Dämmungsunterlage den Feuerraum mind. um

- **30 cm** in senkrechter Richtung zur Kaminofentür,
- **10 cm** in paralleler Richtung zur Kaminofentür überstehen.

Auf den Kaminofen und in kleineren Abständen, als der Sicherheitsabstand dürfen keine Gegenstände aus brennbaren Stoffen gestellt/gelegt werden.

3.3 Maßnahmen bei einem Feuer im Kamin (Schornstein):

Während des laufenden Betriebs, vor allem bei der Benutzung von feuchtem Brennstoff setzen sich im Kamin Ruß und Teer an. Bei Vernachlässigung der regelmäßigen Kontrolle und Reinigung des Kamins **gemäß Regierungsverordnung Nr. 34/2016 Slg. vom 22.1.2016** erhöht sich die Wahrscheinlichkeit eines Brands im Kamin.

Beim Entflammen von Ruß und Teer im Kamin ist wie folgt vorzugehen:

- auf keinen Fall mit Wasser löschen, das würde zur Bildung einer übermäßigen Menge von Dampf und zum anschließenden Zerreißen des Kamins führen,
- falls es möglich ist, ist in die Feuerstätte trockener Sand zu schütten und somit das Feuer zu löschen,
- alle Verbrennungsluftzufuhrquellen löschen, falls es möglich ist, den Kamin zudecken, es darf jedoch die Ansammlung von Rauch im Haus nicht zur Folge haben,
- die lokale Feuerwehr informieren, um zu beurteilen, ob das Ereignis der Feuerwehrbereitschaft zu melden ist,
- bis zum Ausbrennen des Kamins das Haus nicht verlassen, die Kamintemperatur und den Verbrennungsverlauf ständig kontrollieren,
- nach dem Ausbrennen vor erneutem Einheizen mit dem Kaminfegerdienst Kontakt aufnehmen und den Kaminzustand beurteilen lassen, mit dem Kaminofenhersteller Kontakt aufnehmen und den Kaminofen untersuchen lassen.

4. Montagevorschriften

Hinweis: Bei der Montage des Kaminofens sind alle örtlichen Vorschriften einzuhalten, einschl. Vorschriften, die nationale Normen und EU-Normen für diese Art von Verbrauchern betreffen, vor allem:

ČSN 73 4230/2014 - Kamine mit offener und geschlossener Feuerstätte

ČSN EN 13229/2002+A1/2003+A2/2005 - Einbauheizverbraucher und Kamineinsätze für feste Brennstoffe

ČSN EN 13240/2002+A2/2005 - Verbraucher für feste Brennstoffe zum Beheizen von Wohnräumen.

ČSN 73 4201/2016 ed.2 - Kamine und Rauchabzüge - Planung, Ausführung und Anschließen von Brennstoffverbrauchern

ČSN EN 1443/2004 - Kamine - Allgemeine Anforderungen

ČSN EN 13501-1+A1/2010 - Brandschutzklassifikation von Bauprodukten und Baukonstruktionen

ČSN 06 1008/1997 – Brandsicherheitseinrichtungen

Dekret Nr. 268 / 2011 Slg. - Technische Bedingungen für den Brandschutz von Gebäuden

4.1 Allgemein

Kaminöfen müssen auf Fußböden mit entsprechender Tragfähigkeit aufgestellt werden. Erfüllt der vorhandene Zusammenbau nicht diese unerlässliche Bedingung, sind für die Erfüllung dieser Anforderung geeignete Maßnahmen zu treffen (z. B. Benutzung einer Unterlage zur Verteilung der Belastung). Beim Einbau ist angemessener Zugang für die Reinigung des Kaminofens, des Rauchabzugs und des Kamins (Schornsteins), falls dieser nicht von einer anderen Stelle, z. B. vom Dach bzw. mit Hilfe einer zu diesem Zweck vorgesehenen Tür gereinigt werden kann, vorzusehen.

4.2 Anschluss an den Kamin (Schornstein)

Vor der Montage eines geschlossenen Kaminofens ist anhand einer Berechnung nachzuweisen, dass die Kaminkonstruktion mit ihrer Ausführung, Größe der Luftkanäle und wirksamen Höhe der Nennleistung des einzubauenden Kaminofens entspricht.

Voraussetzung für die ordnungsmäßige Funktion des Kaminofens ist ein geeigneter Kamin (Schornstein) - Mindestquerschnitt, Kaminzug, Dichtigkeit, u. ä. Holen Sie sich daher vor der Anordnung Ihres Kaminofens einen Rat bei Ihrem Kaminfeger. Die erforderlichen Kaminwerte sind dem anliegenden technischen Datenblatt zu entnehmen. Bei zu starkem Kaminzug ist es angebracht, eine geeignete Kaminklappe bzw. einen Kaminzugregler einzubauen. Zu starker Kaminzug kann eine Ursache von Betriebsstörungen sein, z. B. der zu intensiven Verbrennung, des zu hohen Brennstoffverbrauchs und kann eine dauerhafte Beschädigung des Kaminofens zur Folge haben.

Die niedrigste wirksame Höhe des Kamins für den Rauchgasabzug vom Kaminofen ist **5 m** (gemessen vom Kaminanschluss bis zur Kaminmündung). Der Kaminanschluss ist mit einem Kaminring zu versehen. Der Anschluss an den Rauchgaskanal ist mit dem Rauchgaskanalhersteller abzustimmen. Der Rauchgaskanal ist mindestens **5 cm** unter der Deckenunterseite herauszuführen. Der Abzugsstutzen ist mit dem Kamin auf dem kürzesten möglichen Weg zu verbinden, so dass die Rauchgasstrecke max. **1/4** der wirksamen Kaminhöhe darstellt (d. h. **1,5 m**). Die Abzugsrohre sind gegenseitig dicht mit Überlappung zu verbinden u. zw. in dem Sinne, dass die Verbindungen jeweils der Rauchgasströmung entspricht bzw. mit Stumpfstoß mit Hilfe von Verbindungsringen. Verläuft das Verbindungsstück durch Bauteile mit brennbaren Baustoffen, sind Schutzmaßnahmen gemäß **ČSN 06 1008/1997** zu treffen. Normgemäß soll die Rauchgasleitung in Richtung des Rauchgaskanals in Richtung der Rauchgasströmung mind. unter dem Winkel **3°** steigen. Äußerst wichtig ist die Dichtigkeit und Festigkeit der Verbindungsstellen. Der Kamin und der Kaminofenanschluss müssen der **ČSN 73 4201/2016 ed.2** entsprechen. Der Kaminmantel darf bei der höchsten Kaminofentemperatur keine höhere Temperatur, als **52°C** aufweisen. Der Querschnitt der Rauchabzugskanäle darf nicht größer, als der Querschnitt des Kaminluftkanals sein und darf sich nicht in Richtung der Kaminmündung verengen. Wird anhand einer Berechnung nachgewiesen, dass der Querschnitt des Rauchabzugskanals und des Kamins kleiner sein kann, als der Querschnitt des Rauchabzugstutzens des Kaminofens, ist der Querschnitt des Rauchabzugs unmittelbar hinter dem Rauchabzugstutzen des Kaminofens mit Hilfe eines kurzen Anlaufs bzw. eines Sprungs zu reduzieren. Ein flexibler Rauchabzug aus dem Werkstoff gemäß Tab. **A.1.** darf nur an Stellen benutzt werden, an denen dessen Kontrolle gemäß **7.2.1 der ČSN 73 4201/2016 ed.2** gewährleistet werden kann, falls der Rauchabzug nicht durch freien Raum geführt wird, ist dessen Kontrolle durch eine Anpassung gemäß **7.2.5 ČSN 73 4230/2014** sicherzustellen. Ein senkrechter Rauchabzug darf nur in den in **8.3.4 und 8.3.5 ČSN 73 4230/2014** angeführten Fällen benutzt werden.

Ein Kaminofen kann an einen gemeinsamen Luftkanal mit einem Gasverbraucher **bei mehrschichtigen Kaminen gemäß ČSN 73 4201/2016 ed.2 angeschlossen werden.**

Das Austreten von Wasser in das Produkt bei Verwendung eines vertikalen Rauchkanal mit Kaminfunktion ist kein Grund für eine Beschwerde!

Bei der Installation von ROMOTOP GmbH Kaminöfen in der BRD im Einklang mit der Norm **DIN 18 896** Artikel **6.2.2** können die Kaminöfen an einen Gemeinschaftsschornstein angeschlossen werden.

5. Bedienungsanleitung

5.1 Brennstoff

In Kaminöfen darf nur Holz in Übereinstimmung mit dem Gesetz **Nr. 201/2012 Slg.** verbrannt werden. Zum Erreichen der Nennwerte des Kaminofens ist es empfehlenswert, trockene Holzscheite mit dem Durchmesser **5-8 cm** und in der Länge **20-30 cm** und mit niedrigerer Feuchtigkeit, als **20%** (optimal sind **10%**) Reisig und klein gespaltenes Holz ist lediglich beim Anheizen zu verwenden. Um das Holz richtig zu trocknen, sind die gespaltenen Holzscheite mindestens über 2 Jahre unter einem gelüfteten Vordach zu lagern.

In dem Kaminofen ist bis zu der im technischen Datenblatt angeführten Nennleistung zu heizen, d. h. Verbrennung der gegebenen Menge des erlaubten Brennholzes in **1 Stunde**. Bei langzeitiger übermäßiger Überlastung droht Beschädigung des Kaminofens.

Als Brennstoff dürfen nie brennbare Flüssigkeiten, Koks, Kohle bzw. Abfälle vom Typ: Holzspanplatten, Kunststoff, Tüten, behandeltes Holz bzw. selbstständige Holzspäne, Sägemehl bzw. Pellets benutzt werden!

!!! Verbrennung derartiger Werkstoffe verschmutzt nicht nur unsere Umwelt, sondern beschädigt auch den Kaminofen und den Kamin!!!

5.2 Erste Inbetriebnahme des Kaminofens

Vor der ersten Inbetriebnahme sind etwaige Aufkleber vom Glas, Zubehörteile aus dem Aschekasten ggf. Feuerraum zu beseitigen, dasselbe gilt auch für etwaige Transportsicherungen. **Alle Kunststoff-Abdeckstopfen an den Gewindeverbindungen sind nicht funktionsfähig, sie sind nur für Transport bestimmt.** Überprüfen Sie nach der Abbildung aus dem technischen Datenblatt, ob die lose gelagerten Zugumlenkungsblenden, Schamottblöcke ggf. die Sperren richtig angeordnet sind (es besteht die Möglichkeit, dass sie beim Transport bzw. bei der Installation in die falsche Position gerutscht sind). Falls Sie deren fehlerhafte Anordnung feststellen, bringen Sie die Bauteile in die richtige Position, andernfalls ist die richtige Funktion der Heizvorrichtung gefährdet. Nach der Aufstellung des Kaminofens, Anschließung an den Kamin, ggf. Anschließung des Austauschers an das Warmwassersystem und dessen Befüllung mit dem Wärmeträgermedium heizen Sie ein und heizen sie mindestens zwei Stunde "mit kleiner Flamme". Lassen Sie vor sowie im Laufe des ersten Einheizens die Tür des Ofens sowie des Aschekastens ein wenig offen (**ca. 1-2 cm**), damit das Dichtungsmaterial nicht am Lack anhaftet. Für die Oberflächenbehandlung des Kaminofens wurde feuerfeste Farbe benutzt, die nach dem ersten Einheizen nach vorübergehendem Weicherden ausbrennt. Im Laufe der Phase des Weicherdens besteht erhöhte Gefahr der Lackoberflächenbeschädigung mit der Hand bzw. einem Gegenstand. Beim ersten Einheizen ist der Kaminofen mit kleiner Flamme, mit einer kleineren Brennstoffmenge und bei niedriger Temperatur zu beheizen. **Der ganze Prozess der Inbetriebnahme des Produkts verläuft bei voll geöffneter Luftzufuhr. Erste zwei Nachlegen sollten der Mindestgrenze des empfohlenen Brennstoffs entsprechen (siehe auch „Technisches Datenblatt“).** Alle Materiale müssen sich an die Wärmebelastung gewöhnen. Durch vorsichtiges Anheizen verhindern Sie Entstehung von Rissen in den Schamottblöcken, Beschädigung des Lacks und Deformation von Materialien der Einsatzkonstruktion. **Nächste 5 – 6 Nachlegen sollten Maximalmenge des Brennstoffs (siehe „Technisches Datenblatt“) innerhalb von 5 – 6 Stunden entsprechen. Jetzt nach dem Nachlegen schließen Sie immer die Feuerraumtür. Aufgrund der höchsten Temperaturen (Maximalleistung) kommt es zur Aushärtung des Lacks.** Das Ausbrennen des Kaminofenlacks wird durch vorübergehenden üblen Geruch begleitet, der mit der Zeit verschwindet.

Beim Ausbrennen des Lacks ist ordnungsmäßige Lüftung des Raums zu gewährleisten, ggf. sicherzustellen, dass keine kleinen Haustiere ggf. Vögel im Raum anwesend sind, es ist auch empfehlenswert, die Luftversorgung von Aquarien auszuschalten.

5.3 Einheizung und Heizung

1. **Bei einem Kaminofen mit Rost** - geben Sie in den Feuerraum zuerst zerknittertes Papier und schichten Sie auf das Papier Holzsplitter. Zum Anheizen kann auch fester Feuerzunder benutzt werden. Lassen Sie nach dem Einheizen das Feuer bei offenen Luftregulierungselementen frei aufbrennen. **Es ist verboten, zum Einheizen flüssige Brennstoffe (Benzin, Petroleum, u. ä.) zu benutzen!** Sobald das Feuer aufbrennt und genügend Zug vorhanden ist, können größere Holzscheite zugelegt werden, ohne dass der Rauch in den Raum austritt. Legen Sie stets die festgelegte Brennstoffmenge nach der Nennleistung des Kaminofens zu.

2. **Bei einem Kaminofen ohne Rost** - wird zum Brennen lediglich die Sekundärluft genutzt, legen Sie daher in den Feuerraum größere Holzscheite, anschließend kleinere Holzscheite und zuletzt Holzsplitter und Papier. Lassen Sie nach dem Einheizen das Feuer bei offenen Luftregulierungselementen frei aufbrennen. **Es ist verboten, zum Einheizen flüssige Brennstoffe (Benzin, Petroleum, u. ä.) zu benutzen!** Sobald das Feuer aufbrennt und genügend Zug vorhanden ist, können größere Holzscheite zugelegt werden, ohne dass der Rauch in den Raum austritt. Legen Sie stets die festgelegte Brennstoffmenge nach der Nennleistung des Kaminofens zu.

Der Brennstoffverbrauch ist stets im technischen Datenblatt angeführt. Regulieren Sie die Verbrennungsintensität mit den Bedienelementen der Luftzufuhr, ggf. durch Reduzierung des Kaminzugs, falls in Ihrem Ofen eine Rauchklappe eingebaut ist. Eine größere Brennstoffmenge bzw. zu großer Zug und zu große Luftzufuhr kann Überheizung und Beschädigung des Kaminofens zur Folge haben. Zu kleiner Zug verursacht Schwärzung der Türscheibe bzw. Austritt von Rauch in den Raum bei der Öffnung der Ofentür und beim Zulegen in den Kaminofen.

Hinweis: Die Feuerraumtür muss stets geschlossen sein, mit Ausnahme der Inbetriebnahme, Brennstoffzulegung und Beseitigung der Asche. Bei jeder längeren Unterbrechung des Kaminofenbetriebs ist vor dem Einheizen die Durchgängigkeit und Sauberkeit der Rauchzüge, des Kamins und des Feuerraums zu kontrollieren. Das Erhitzen und Auskühlen des Kamineinsatzes wird durch Geräusche begleitet, es handelt sich um keinen Mangel.

5.4 Brennstoffzulegung

Zur Verhinderung des Austritts von Rauchgas in den Raum beim Zulegen empfehlen wir: Etwa 5 bis 10 Sekunden vor dem Öffnen der Feuerraumtür die Luftregler voll öffnen, anschließend die Tür zuerst ein wenig öffnen, einige Sekunden warten, solange das Rauchgas nicht in den Kamin abgezogen wird und erst danach die Tür voll öffnen. Nach dem Öffnen der Tür ist stets aufmerksam vorzugehen, es besteht Gefahr des Herausfallens von heißer Asche. Nach dem Brennstoffzulegen die Feuerraumtür erneut schließen. Nach dem Aufbrennen des Brennstoffs (ohne qualmige Flamme) den Regler wieder in die ursprüngliche Position stellen. Die Menge des zugelegten Brennstoffs soll dem informativen Stundenverbrauch des jeweiligen Kaminofens entsprechen (siehe technisches Datenblatt). Beim Überheizen kann die Ofenkonstruktion dauerhaft beschädigt werden.

Hinweis: Übermäßiger Austritt der Rauchgase in den Raum beim Zulegen kann durch Nachfüllung des Brennstoffs nach dessen Abbrennen bis auf glühende Asche verhindert werden.

5.5 Betrieb im Lauf des Übergangszeitraum

Im Laufe des Übergangszeitraums ggf. bei höheren Außentemperaturen als **15°C**, an regnerischen und feuchten Tagen, bei starkem böigem Wind kann sich unter Umständen der Kaminzug (Abzug des Rauchgases aus dem Kaminofen) verschlechtern. Es ist empfehlenswert, den Kaminofen in diesem Zeitraum mit der

kleinstmöglichen Brennstoffmenge zu betreiben, um durch Öffnung der Luftzufuhr die Verbrennung und somit auch den Kaminzug verbessern zu können.

Tipp: In diesem Zeitraum kann sich durch Zugeigenschaften des Kamins in der Kaminmündung ein sog. atmosphärischer Stöpsel bilden. Dieser Stöpsel kann das Eindringen von Rauch in den Raum beim Einheizen verursachen. Es ist daher empfehlenswert, vor dem Einheizen zuerst ein Stück zerknittertes Papier - am besten im oberen Feuerraumbereich verbrennen zu lassen. Dieser scheinbar geringe Rauch genügt zum "Durchstoßen" des atmosphärischen Stöpsels. Anschließend kann man ohne Bedenken das Papier (bzw. den fester Feuerzünder) anzünden, wobei auch ein feuchter Kamin entsprechend durchgängig ist.

In diesem Zeitraum kann beim Einheizen auch erfolgreich der Vorgang für den Kaminofen ohne Rost (ohne Aschekasten) benutzt werden.

5.6 Beseitigung der Asche

Achten Sie darauf, dass Sie den Aschekasten entleeren, nachdem er bis in die Hälfte voll ist, damit der Aschekegel nicht zu nah zu dem Rost anwächst und der Rost nicht durch Überhitzung beschädigt wird. Die Asche würde zugleich die Zufuhr der erforderlichen Verbrennungsluft behindern. Der Aschekasten ist am besten in kaltem Zustand zu entleeren, am besten bei der Vorbereitung der nächsten Einheizung. Für die Reinigung des Aschekastens in kaltem Zustand ist ebenfalls ein Aschesauger mit Kleinpartikelfilter geeignet. Holzasche kann für Kompost bzw. als Dünger benutzt werden. Die Asche ist in geschlossenen unbrennbaren Behältern aufzubewahren.

Hinweis: Vor der Entleerung des Aschekastens ist zu überprüfen, ob er keine glühenden Aschereste enthält, die Feuer im Abfallbehälter verursachen könnten.

Hinweis: Bei bestimmten Kaminofentypen befindet sich der Aschekasten im Raum unter dem Rost, ohne dass er seitlich heraus genommen werden kann. Der Aschekasten ist nur bei ausgekühltem Ofen herauszunehmen. Der Zugang zum Aschekasten ist nach dem Abklappen des Rosts frei.

Bei der Beseitigung von heißer Asche ist mit erhöhter Vorsicht vorzugehen.

6. Reinigung und Instandhaltung

Ihr Kaminofen ist ein Qualitätsprodukt und bei normalem Betrieb entstehen keine grundsätzlichen Störungen. Es ist notwendig den Ofen und Rauchzüge regelmäßig und grundsätzlich vor und nach der Heizperiode prüfen und reinigen.

Nehmen Sie die Reinigung und Instandhaltung stets bei ausgekühltem Kaminofen vor!

Die Kaminoberfläche ist geschützt durch eine hitzebeständige Oberflächenbehandlung. Die hitzebeständige Oberflächenbehandlung ist nicht korrosionsbeständig. Vermeiden Sie direkten Kontakt mit Wasser, anderen Reinigungsmitteln, Scheuermitteln oder Lösungsmitteln.

Die Oberflächen des Ofens reinigen Sie mit einem weichen, trockenen Tuch!

6.1 Reinigung der Glasscheibe

Auf Erhaltung der Glasscheibensauberkeit hat außer der Benutzung des geeigneten Brennstoffs, der ausreichenden Verbrennungsluftzufuhr und des entsprechenden Kaminzugs auch die Art, wie der Kaminofen bedient wird, Einfluss. Wir empfehlen in diesem Zusammenhang nur eine Brennstoffschicht zuzulegen, so dass der Brennstoff womöglich gleichmäßig im Feuerraum verteilt und weit vom Glas ist. Bei Verschmutzung des Glases beim Heizen empfehlen wir, durch das Öffnen des Luftreglers die Verbrennungsintensität zu erhöhen, die Glasscheibe wird meistens selbsttätig gereinigt.

Das verrußte Türglas kann in kühlem Zustand mit Zeitungspapier bzw. mit feuchtem Stoff mit Holzasche. Üblicherweise kommen beim Reinigen der Kaminsichtscheibe auch flüssige Reinigungsmittel zum Einsatz. Diese können jedoch in manchen Fällen, abhängig von der Zusammensetzung des Reinigungsmittels und dessen Wechselwirkung mit Verbrennungsrückständen (Aschepartikel, etc.), die Dichtungen des Kaminofens und/oder die Glaskeramik und/oder die Dekorationsfarbe der Kaminsichtscheibe angreifen.

Der Hersteller trägt keine Verantwortung für Schäden, die durch Angriff unter Verwendung von chemischen Stoffen entstehen.

6.2 Reinigung des Kaminofens / Ausbau der Schamottblöcke

Bei der Reinigung sind die Ablagerungen aus den Rauchzügen und aus dem Feuerraum zu beseitigen. Herausgefallene Teile der Schamottaummauerung sind zu reparieren, am besten auszutauschen. Vollständigkeit der Schamottaummauerung ist ebenfalls im Laufe der Heizsaison zu überwachen. Die Zwischenräume zwischen einzelnen Schamottblöcken dienen zur Wärmedehnung und Verhinderung der Entstehung von Sprüngen in den Blöcken und dürfen nicht z. B. durch Füllmasse ausgefüllt werden, wie es zum Beispiel bei älteren Heizgeräten für feste Brennstoffe üblich war. **Rissige Schamottblöcke verlieren nicht ihre Funktion, sofern sie nicht ganz herausfallen!** Wir empfehlen, bei der Kaminofenreinigung die losen Zugumlenkungsblenden herauszunehmen, falls sie bei dem Kaminofen vorhanden sind (zur Erleichterung des Zugangs zu dem Raum hinter den Blenden). Reinigung des Kaminofens (außer dem Glas) wird ohne Wasserzubereitungen vorgenommen, z. B. mit Hilfe eines Staubsaugers bzw. von Stahlbürsten. Beliebige Modifizierungen des Kaminofens sind unzulässig. Es sind ausschließlich vom Hersteller freigegebene Ersatzteile zu benutzen. Ausbau der Schamottblöcke (siehe Schamottkammer). Schmieren Sie die Reibungsflächen der Tür und des Schließmechanismus von Zeit zu Zeit mit kohlenstoffhaltigem Fett bzw. mit Schmierstoff für hohe Temperaturen. Ist der Kaminofen außer Betrieb, schließen Sie ihn mit Hilfe der entsprechenden Schieber.

6.3 Reinigung des Kamins

Jeder Benutzer eines Heizgeräts für feste Brennstoffe hat regelmäßige Kontrollen und Reinigung des Kamins gemäß **Regierungsverordnung Nr. 34/2016 Slg. vom 22.1.2016** sicherzustellen.

7. Entsorgung der Verpackung und des ausgesondertes Produkts

Wir empfehlen im Sinne des Gesetzes Nr. 125/1997 Slg. und der zusammenhängenden Vorschriften folgende Art der Entsorgung der Verpackung und des unbrauchbaren, ausgesonderten Produkts.

Verpackung

- a) Holzteile der Verpackung zum Heizen benutzen
- b) die Kunststoffverpackung in einen Container für getrennten Abfall geben
- c) Schrauben und Halter beim Altstoffhandel abliefern
- d) die Tüte mit dem Luftfeuchtigkeitsseparator als getrennten Abfall entsorgen

Ausgesondertes Produkt:

- a) das Glas ausbauen und in einen Container mit getrenntem Abfall geben
- b) Dichtung und Schamottblöcke als Kommunalabfall entsorgen
- c) Metallteile beim Altstoffhandel abliefern

8. Garantie

Wichtig ist, dass Sie vor Inbetriebnahme des Kaminofens den beiliegenden Garantieschein durchlesen. Daraus können Sie entnehmen, welche Pflichten erfüllt werden müssen, damit evtl. Garantieansprüche anerkannt werden.

Schäden, die durch falsche Bedienung entstehen, unterliegen nicht der Garantie.

FR Mode d'emploi général pour l'installation et l'entretien du poêle à bois de l'entreprise Romotop S.A.R.L.

- valable d'une façon générale pour tous les types des poêles à bois fabriqués par l'entreprise Romotop S.A.R.L.

La fiche technique jointe comprend toutes les données techniques détaillées pour le type de poêle donné.

Le montage et l'installation des poêles peuvent être effectués uniquement par le revendeur autorisé Romotop S.A.R.L.

Le poêle à bois ne peut être utilisé que conformément au présent mode d'emploi !

Aucune modification non autorisée ne peut être effectuée sur le poêle !

1. Introduction
2. Description technique
3. Consignes de sécurité
 - 3.1 Distances de sécurité
 - 3.1.1 Distance de sécurité entre le poêle à bois et les matériaux inflammables
 - 3.1.2 Distance de sécurité entre les conduits de fumée et les matériaux inflammables et les pièces de construction
 - 3.2 Protection du plancher
 - 3.3 Mesures en cas d'incendie dans la cheminée
4. Règles de montage
 - 4.1 Consignes générales
 - 4.2 Raccordement à la cheminée
5. Guide d'entretien
 - 5.1 Combustible
 - 5.2 Première mise en service du poêle à bois
 - 5.3 Allumage et chauffage
 - 5.4 Chargement de combustible
 - 5.5 Utilisation pendant la période de transition
 - 5.6 Récupération des cendres
6. Nettoyage et entretien
 - 6.1 Nettoyage de la vitre
 - 6.2 Nettoyage du poêle à bois / démontage des chamottes
 - 6.3 Nettoyage de la cheminée
7. Mode de liquidation des emballages et du produit hors d'usage
8. Garantie

1. Introduction

Nous vous remercions d'avoir opté pour notre poêle et nous vous félicitons chaleureusement car vous venez de devenir le propriétaire d'un poêle à bois de qualité exceptionnelle de l'entreprise Romotop S.A.R.L. faisant partie des meilleurs fabricants européens d'appareils de cheminée.

Notre poêle à bois peut servir non seulement comme chauffage d'appoint renforçant l'atmosphère de votre foyer ou de votre bâtiment récréatif, mais également comme source de chauffage principale avec un rendement thermique élevé, un fonctionnement sans poussière et une combustion parfaite respectant au maximum l'environnement. Tous les appareils de cheminée fabriqués par notre entreprise sont testés conformément aux normes ČSN EN 13 240/2002+A2/2005.

Dans votre propre intérêt, veuillez lire soigneusement le mode d'emploi et la fiche technique. Pour un fonctionnement en toute sécurité, l'utilisateur est tenu de s'informer dûment sur l'installation et l'utilisation correctes de ce dispositif. Veuillez conserver le mode d'emploi et la fiche technique de façon à ce que, au début de chaque saison de chauffe, vous puissiez rafraîchir vos connaissances nécessaires à la bonne utilisation de votre poêle.

Nous fournissons une garantie pour nos produits uniquement si vous respectez les instructions données dans ce manuel de l'utilisation du poêle à bois .

2. Description technique

Les poêles à bois sont destinés à l'installation en intérieurs différents (appartements, bâtiments récréatifs, restaurants). Les poêle Romotop S.A.R.L. sont fabriqués des matériaux de construction de haute qualité –de la fonte, de l'acier CORTEN et de l'acier qualitatif de construction et de chaudière, de l'acier de type HARDOX pour les pièces soumises. La surface des constructions en acier est protégée par un vernis mat réfractaire. Les vernis réfractaires ne sont pas anticorrosifs. L'intérieur de la chambre à combustion du poêle tout en tôle est pavé de plaques en chamotte qui ne sont liées entre elles par aucune matière grasseuse afin de prévenir leur endommagement par les dilatations thermiques. La chambre à combustion peut être fermée solidement à l'aide de la porte équipée d'une vitre spéciale thermorésistante. Non seulement la vitre augmente les sensations esthétiques amenées par le spectacle des flammes dansantes, mais elle permet également la transmission de l'agréable chaleur rayonnante. En outre, elle empêche la projection d'étincelles venant du bois brûlant ainsi que l'arrivée de fumée dans la pièce. Le fond du foyer comprend généralement une grille en fonte amovible. Devant la grille, on place généralement une barrière pour empêcher que le combustible ne tombe ou ne glisse sur la porte (vitre de devant) ou encore une bosse en tôle ou en céramique. Dans le cas des foyers à grille, un espace pour le cendrier se trouve sous la grille. Pour certains types, la bouche du conduit de fumée peut être ajustée en fonction des besoins à la sortie de fumée supérieure ou arrière. Le poêle est fabriqué avec deux revêtements. L'espace entre les revêtements est utilisé pour réchauffer l'air. La partie supérieure du revêtement extérieur est dotée de bouches d'évacuation de l'air réchauffé. Le revêtement extérieur peut être orné de céramique ou de pierre enfin d'accentuer le design et d'améliorer les propriétés d'accumulation thermique du poêle. Pour certains types de poêle, la construction à deux revêtements est adaptée pour le réchauffement de l'eau chaude utile avec possibilité de raccord au système de chauffage standard. Ce poêle peut être équipé d'une courbe de refroidissement empêchant la surchauffe en cas de panne de courant électrique.

Le poêle doté d'une arrivée d'air de combustion primaire et secondaire est équipé des éléments de commande correspondants. L'air primaire est acheminé directement dans le combustible brûlant (généralement par le cendrier et la grille) et sert à la réaction de combustion primaire. L'air secondaire soutient la combustion des gaz combustibles résiduels dans les produits de combustion et augmente ainsi le rendement thermique du dispositif chauffant tout en prenant part de façon significative à la réduction de la quantité des matières nocives rejetées dans l'air ambiant. L'air secondaire est amené avant tout dans l'espace au-dessus du combustible brûlant. Sa présence entraîne le laminage (primage) de l'air froid sur la paroi intérieure de la vitre frontale. En même temps, ce processus empêche la vitre de noircir. En renfermant partiellement ou complètement l'air primaire, l'air secondaire prend également part à la combustion primaire. Lors de l'allumage, quand le tirage de la cheminée est encore faible, laissez l'air primaire complètement ouvert. Lorsque la cheminée commence à chauffer, vous pouvez refermer partiellement voire complètement l'arrivée d'air primaire en fonction du rendement désiré du

poêle. Afin de réduire le rendement du poêle, vous pouvez également opter pour une dose de combustible inférieure ou encore limiter le tirage de la cheminée en montant une trappe à fumée (fermeture manuelle dans le conduit à fumée refermant le passage max. à **75 %**). Nous recommandons cela notamment pour un tirage de cheminée environ égal ou supérieur à **20Pa**. La vanne secondaire est destinée à la fermeture complète du poêle pour arrêter complètement son fonctionnement. Le foyer et le couvercle du cendrier doivent toujours être fermés sauf au moment de la mise en marche, du chargement de combustible et du retrait des résidus solides de la combustion afin d'empêcher que les produits de la combustion s'échappent dans la pièce.

Certains poêles à bois sont dotés d'un échangeur d'accumulation thermique ce qui permet d'augmenter l'efficacité d'un tel poêle, permettant une utilisation maximale de l'énergie du combustible.

Certains poêles à bois sont fabriqués avec une arrivée d'air centrale (**AAC**). Cette dernière permet d'amener, dans la chambre à combustion du poêle, de l'air pour la combustion à partir des espaces extérieurs*, des entrées, des salles techniques etc. Les poêles à bois avec **AAC** ne sont pas dépendants de la quantité d'air se trouvant dans l'espace chauffé. Ainsi, ils contribuent non seulement à maintenir un climat agréable dans votre demeure, mais réduisent également les frais d'énergie (l'air réchauffé déjà une fois dans la maison n'est pas consommé). Lors de l'installation de la sortie Diamètre de l'arrivée d'air central (AAC) sur le mur, il est important de s'assurer que le tuyau passe à un angle négatif **3°** par rapport au produit. Les lignes AAC doivent être isolées.

Les poêles à bois avec **AAC** se prêtent tout particulièrement à une installation dans des maisons à faible consommation d'énergie. **Afin d'augmenter le confort, le système de chauffage de certains poêles à bois avec AAC peut être équipé d'une régulation électronique de la combustion.** Cette dernière apporte en outre la possibilité de prolonger le processus de combustion ainsi que l'intervalle de chargement de combustible, d'augmenter la sécurité du fonctionnement et de limiter le chauffage non-économique et la surchauffe du poêle (la vanne de l'arrivée d'air centrale est contrôlée par l'unité de contrôle et le servomoteur en fonction de la phase actuelle de combustion et de la température de sortie des produits de la combustion).

Avertissement : Le poêle n'a pas un caractère de dispositif chauffant permanent et il est conçu pour une utilisation périodique interrompue, notamment en raison du vidage du cendrier qui est effectué lorsque les cendres ont refroidi.

**Lors du raccordement à l'arrivée d'air externe (de l'extérieur), il est recommandé d'installer un clapet à double effet avec manchon d'étanchéité en silicone avec la possibilité de fermer l'arrivée d'air. Cela empêchera la corrosion due à la condensation d'humidité de se former lorsque le produit est hors service. La garantie ne couvre pas les défauts causés par la corrosion!*

Attention, il faut veiller à ce que le registre soit toujours ouvert lorsque le produit est en fonctionnement!

3. Consignes de sécurité

Le poêle peut être utilisé dans son environnement normal conforme à la norme **ČSN 33 2000-1 ed.2/2009**. Dans le cadre d'un changement d'environnement pouvant entraîner un danger transitionnel d'incendie ou d'explosion (par exemple lors du collage de linoléum, PVC, pendant l'utilisation de produits de revêtement etc.), le poêle doit être mis hors d'usage avant que le risque ne survienne. En outre, le poêle ne peut être utilisée qu'après une aération soignée, si possible par courant d'air.

Lors de l'utilisation, il faut assurer qu'une quantité suffisante d'air de combustion et d'air pour l'aération de la pièce soit acheminée, notamment lorsqu'on utilise en même temps un autre dispositif de chauffage (environ **8** à **15m³** pour brûler 1 kg de combustible) ! Cela n'est pas forcément le cas si les fenêtres et les portes sont bien étanches ! On obtient cela lorsqu'on branche l'**AAC** dans une pièce séparée. Par ailleurs, la grille de régulation de l'air de combustion, d'aération et de chauffage ne doit pas être bouchée. Ouvrez toujours la porte pour le chargement du combustible lentement. Ainsi, vous empêcherez la fumée et les cendres de s'échapper dans la pièce. Le poêle demande de temps à autre à être entretenu et surveillé.

Aucun liquide inflammable ne doit être utilisé pour l'allumage et le chauffage ! En outre, il est interdit de brûler des plastiques, des matériaux en bois avec divers agglomérats chimiques (agglomérés etc.), quels qu'ils soient, ainsi que des déchets ménagers non triés issus des résidus de plastique et autres conformément à la **loi 201/2012**.

Pendant le chauffage, assurez-vous que le poêle n'est pas manipulé par des enfants. Le poêle ne peut être utilisé que par des personnes adultes !

Pendant le fonctionnement, maniez tous les manches et les boutons à l'aide de pinces, de crochets, voire votre main protégée par un gant (isolant) - risque de brûlure ! Pendant son utilisation et lorsqu'il est encore chaud, il est interdit de déposer sur le poêle des objets en matériaux inflammables, quels qu'ils soient, susceptibles de causer un incendie. Veuillez être très prudent en manipulant le cendrier et en retirant les cendres brûlantes car vous risquez de vous brûler. Les cendres brûlantes ne doivent pas entrer en contact avec des objets inflammables - par exemple pendant le versement dans les récipients destinés aux déchets communaux.

En cas d'utilisation saisonnière et en cas de mauvaises conditions de tirage ou climatiques, il est nécessaire de porter une attention accrue lorsqu'on met le poêle en fonction. Après une longue période d'interruption de fonctionnement, il est nécessaire de contrôler si les voies de combustion n'ont pas été bouchées avant de rallumer le poêle.

Pendant l'utilisation et l'installation du poêle, il est nécessaire de respecter les consignes de sécurité conformes à la norme ČSN 06 1008/1997, notamment :

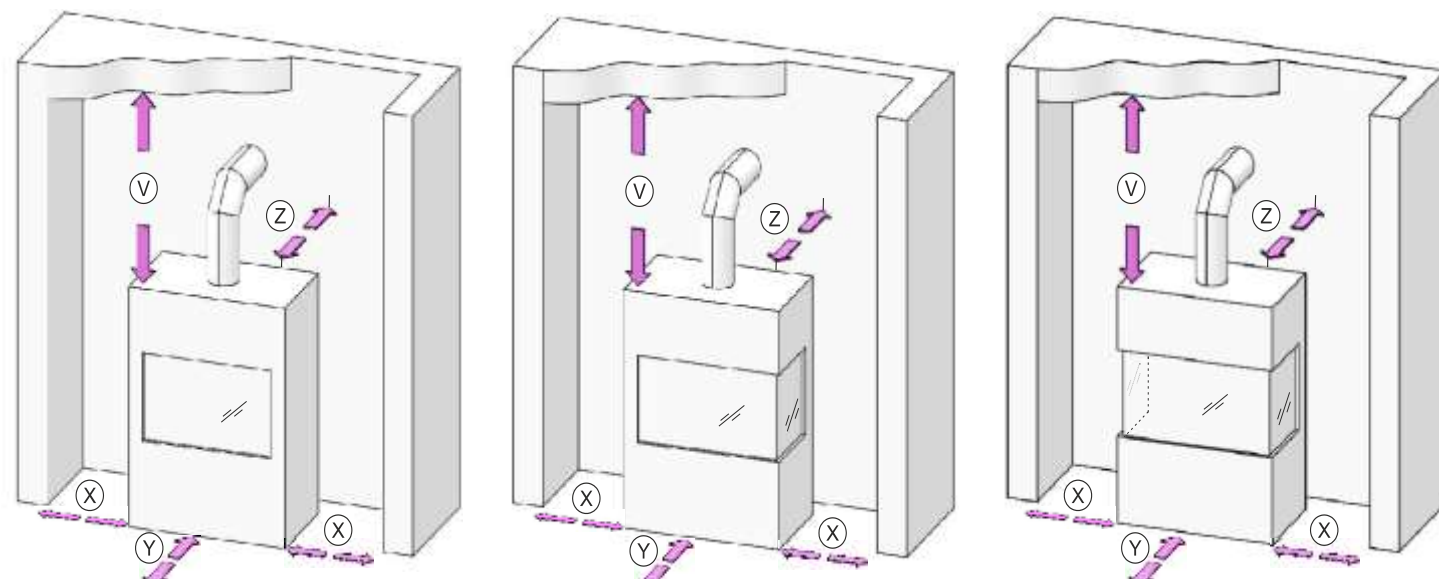
3.1 Distances de sécurité :

3.1.1 Distance de sécurité entre le poêle et les matériaux inflammables

Pendant l'installation du poêle dans un espace contenant des objets inflammables de classe **B**, **C** et **D**, la distance de sécurité d'après la norme **ČSN 06 1008/1997**, à savoir **80cm** de la porte et **20cm** des autres objets, doit être respectée, sauf s'il en est mentionné autrement par le fabricant, se référer à la **documentation technique** et la **plaque de fabrication**.

Si le poêle est installé dans un espace contenant des objets inflammables de classe **E** ou **F**, ces distances doivent être multipliées par deux. Les informations sur le degré d'inflammabilité de certains matériaux de construction sont évoquées par la norme **ČSN EN 13 501-1+A1/2010** et **ČSN 73 0810/2016**. S'il est impossible de respecter la distance de sécurité du dispositif chauffant par rapport aux substances inflammables tel que prévu par la norme, il est nécessaire d'utiliser une cloison de protection conformément à **4.4.1 ČSN 06 1008/1997**.

Matériaux de construction classés selon la réaction au feu	
A1 ou A2	granit, grès, bétons, briques, carreaux de céramique, plâtres spéciaux ...
B	acumin, fibrociment, lihnos, itaver ...
C	bois feuillu, contre-plaqué, sirkoklit, papier durci, formica ...
D	bois résineux et aggloméré, solodur, bois de liège, caoutchouc, revêtements de sol ...
E ou F	planches de fibre de bois, polystyrène, polyuréthane ...



3.1.2 Distance de sécurité entre les conduits de fumée et les matériaux inflammables et les pièces de construction

La distance de sécurité avec la garniture du cadre de porte et autres constructions placées de cette sorte en matériaux inflammables d'une part et l'installation de tuyaux y compris les isolations est d'au moins **20cm**. Les autres parties des constructions en matériaux inflammables doivent être à une distance minimale de **40cm** selon ČSN 06 1008/1997. Il s'agit des matériaux de construction de classe **B, C** et **D** selon ČSN EN 13501-1+A1/2010 (voir tableau n° 1). Ceci s'applique également aux murs et notamment aux plafonds avec enduit sur fond inflammable, par exemple les voliges etc.! Si ces distances ne peuvent être respectées, il faut pallier le risque d'incendie à l'aide de mesures techniques de construction, de revêtements ignifuges, d'isolations et de cloisons résistantes à la chaleur.

3.2 Protection du plancher

Si le poêle n'est pas installé sur un plancher non inflammable à **100 %**, il est nécessaire de le placer sur un tapis non inflammable isolant, par exemple de la tôle (épaisse d'au moins 2 mm), de la céramique, du verre durci, de la pierre, de façon à ce que la température du plancher inflammable d'après ČSN 73 4230/2014 pendant le fonctionnement ne dépasse pas **50 °C**.

D'après 5.1.3.3 ČSN 06 1008/1997, le tapis isolant doit dépasser le foyer d'au moins

- **30cm** verticalement par rapport à la porte de chargement du poêle.
- **10cm** horizontalement par rapport à la porte de chargement du poêle.

Aucun objet en matière inflammable ne doit être déposé sur le poêle ni à une distance inférieure à la distance de sécurité.

3.3 Mesures en cas d'incendie dans la cheminée :

A la suite d'un fonctionnement courant, notamment à cause de combustible humide, des cendres et du goudron sont déposés dans la cheminée. Lorsqu'on néglige les contrôles réguliers et le nettoyage de la cheminée conformément au règlement du gouvernement n° 34/2016 du J.O. daté du 22^{er} janvier 2016 la probabilité d'un incendie dans cette dernière augmente.

En cas d'ignition des cendres et du goudron dans la cheminée, procédez de la façon suivante :

- n'éteignez avec de l'eau dans aucun cas, cela provoquerait l'apparition d'une trop grande quantité de vapeur ce qui mènerait à la déchirure de la cheminée
- si possible, versez du sable sec sur le foyer pour éteindre le feu

- fermez toutes les arrivées d'air pour la combustion, si possible recouvrez la cheminée, cependant, il ne faut pas que la fumée s'amasse dans l'espace de la maison
- contactez l'équipe des sapeurs-pompiers locale afin d'évaluer la nécessité d'informer les services de pompiers d'urgence
- ne quittez pas la maison jusqu'à ce que la cheminée s'éteigne, contrôlez la température de la cheminée et le déroulement de la combustion au fur et à mesure
- après la fin de la combustion et avant de rallumer le poêle, veuillez contacter le service de ramonage afin que celui-ci évalue l'état de la cheminée, ainsi que le fabricant du poêle pour un contrôle.

4. Règles de montage

Avertissement : Pendant le montage du poêle, toutes les règles locales doivent être respectées, y compris les règles relatives aux normes nationales et européennes pour ce type d'appareils, notamment :

ČSN 73 4230/2014 - Cheminées avec foyer ouvert et fermé

ČSN EN 13229/2002+A1/2003+A2/2005 - Appareils de chauffage encastrables et inserts à bois pour combustible solide

ČSN EN 13240/2002+A2/2005 - Appareils à combustible solide servant au chauffage des espaces d'habitation

ČSN 73 4201/2016 ed.2 - Cheminées et conduits de fumée - conception, réalisation et branchement des appareils à combustion

ČSN EN 1443/2004 - Cheminées – Exigences générales

ČSN EN 13501-1+A1/2010 - Classification des produits de construction et des constructions des bâtiments relative aux incendies

ČSN 06 1008/1997 - Dispositifs de sécurité anti-incendie

Décret N° 268 / 2011 du J.O. - Conditions techniques pour la protection contre les incendies des bâtiments

4.1 Consignes générales

Le poêle doit être installé sur des planchers supportant la charge correspondante. Si l'installation existante ne remplit pas cette condition essentielle, des mesures adéquates doivent être prises pour remplir cette exigence (par exemple l'utilisation d'un tapis répartissant la charge). Lors de l'installation, il est nécessaire d'assurer un accès adéquat pour le nettoyage du poêle, du conduit de fumée et de la cheminée s'il n'est pas possible de nettoyer cette dernière à partir d'un autre endroit, par exemple le toit ou la petite porte destinée à cet effet.

4.2 Raccordement à la cheminée

Avant le montage du poêle fermé, il faut calculer si la construction de la cheminée correspondra par sa réalisation, la dimension des conduits d'aération et la hauteur utile au rendement nominal du poêle installé.

La condition d'un bon fonctionnement du poêle est une cheminée adéquate (section minimale, tirage de la cheminée, étanchéité etc.). Ainsi, avant de mettre en place le poêle, veuillez consulter un ramoneur qualifié. Vous trouverez les valeurs pour la cheminée dans la fiche technique jointe. Dans les cas où le tirage de la cheminée est trop élevé, il convient d'installer une trappe à cheminée adéquate ou un régulateur de tirage de la cheminée. Un tirage trop élevé peut causer des problèmes pendant le fonctionnement, par exemple une combustion trop intense, une consommation de combustible élevée, et peut également entraîner un endommagement irréversible du poêle.

La hauteur utile la plus basse de la cheminée pour l'évacuation des produits de la combustion provenant du poêle est de **5 m** (mesuré à partir de la frette après la bouche de la cheminée). L'entrée dans la cheminée doit être équipée d'une frette. Le raccordement au carneau doit être consulté avec le fabricant du carneau. Le carneau doit déboucher au moins à **5 cm** du plafond. Reliez la bouche de tirage avec la cheminée par le chemin le plus court possible de manière à ce que la longueur des voies de fumée ne dépasse pas **1/4** de la hauteur utile de la cheminée (à savoir **1,5m**). Les tuyaux à fumée et le coude doivent être reliés étanchement en se chevauchant de

façon à ce que les joints soient assemblés en fonction du sens du courant des produits de la combustion, ou encore assemblés bout à bout à l'aide d'anneaux de liaison. Si la pièce de liaison traverse des pièces de construction avec des matériaux de construction inflammables, il est nécessaire de respecter les mesures de protection d'après la norme **ČSN 06 1008/1997**. D'après celle-ci, le conduit de fumée doit s'élever en direction du carneau dans le sens du courant des produits de la combustion sous un angle d'au moins 3°. L'étanchéité et la solidité des joints sont capitales. La cheminée et le raccordement du poêle doivent correspondre à **ČSN 73 4201/2016 ed.2**. Lors de la température de fonctionnement la plus élevée de la cheminée, la chaleur du revêtement de la cheminée ne doit pas dépasser 52 °C. La section des bouches d'aération du conduit de fumée ne doit pas être supérieure à la section de l'aération de la cheminée et ne doit pas rétrécir en direction de la cheminée. Si les calculs démontrent que la section de l'aération du conduit de cheminée et de la cheminée peut être inférieure à la section de la bouche de combustion du poêle, la section du conduit de fumée diminuera juste après la bouche de combustion du poêle par entrée courte ou par saut. Un conduit de fumée flexible, matériau d'après le tableau **A.1.** peut être utilisé dans les endroits où on peut garantir son contrôle d'après la norme **7.2.1 ČSN 73 4201/2016 ed.2**, si le conduit de fumée ne passe pas par un espace dégagé, la possibilité de pouvoir le contrôler doit être garantie par modification d'après **7.2.5 ČSN 73 4230/2014**. Un conduit de fumée vertical ne peut être utilisé que dans les cas indiqués dans **8.3.4 et 8.3.5 ČSN 73 4230/2014**.

Le poêle peut être raccordé à une aération commune avec un appareil à gaz dans le cas de cheminées à plusieurs couches d'après **ČSN 73 4201/2016 ed.2**.

Une fuite d'eau dans le produit lors de l'utilisation d'un conduit vertical avec une fonction de cheminée n'est pas un motif de réclamation!

Il est possible d'installer deux poêles de l'entreprise Romotop S.A.R.L. raccordés à une cheminée commune conformément à l'article **6.6.2.** de norme **DIN 18 896**.

5. Guide d'entretien

5.1 Combustible

Dans le poêle, il est autorisé de brûler uniquement du bois conformément à la loi n° 201/2012 du J.O.. Afin d'atteindre les paramètres nominaux du dispositif chauffant, il est recommandé d'utiliser des bûches sèches d'un diamètre de **5-8cm**, de longueur **20-30cm**, d'une humidité inférieure à **20%** (idéalement **10%**). N'utilisez du petit bois ou du bois coupé finement uniquement pour l'allumage. La siccité recommandée du bois est atteinte en entreposant les bûches pendant au moins deux ans dans un abri aéré.

Il est nécessaire de chauffer le poêle au rendement nominal indiqué dans la fiche technique ce qui signifie la combustion du combustible donné à la quantité autorisée en **1 heure**. En cas de surcharge excessive pendant longtemps, l'appareil de chauffage à bois risque d'être endommagé.

N'utilisez jamais des liquides inflammables, du coke, du charbon en tant que combustible, ni des déchets des types suivants : plaques en aggloméré, matières plastiques, sacs en plastique, bois enduit ou copeaux de bois séparés, sciure de bois ou pellets !

!!! Non seulement la combustion de tels matériaux est très nocive pour l'environnement et pour nous tous, mais elle endommage également le poêle ainsi que la cheminée !!!

5.2 Première mise en service du poêle à bois

Avant la première mise en service, il faut veiller à retirer les éventuels autocollants de la vitre, les pièces d'accessoires du cendrier, voire les retirer du foyer, ce qui est valable également pour les éventuelles sécurités utilisées pendant le transport. **Tous les bouchons en plastique de couverture placés sur les raccords ne fonctionnent pas, ils ont seulement le caractère de transport.** D'après l'image de la fiche technique,

contrôlez si les cloisons librement insérées destinées à diriger le tirage, les blocs de chamotte ou encore le dispositif de blocage sont correctement placés (il est possible qu'ils se soient déplacés pendant le transport ou l'installation). Si vous constatez un défaut de placement, rectifiez-le, sinon le fonctionnement correct de l'appareil de chauffage risque d'être empêché. Après le placement du poêle, le raccord à la cheminée, voire le raccord de l'échangeur à la distribution d'eau chaude et son remplissage par le médium chauffant, chauffez le poêle et laissez chauffer tranquillement pendant au moins 2 heures. Avant et pendant le premier chauffage, laissez la porte du poêle et du cendrier légèrement ouverte (**env. 10-20mm**) de façon à ce que le matériau d'étanchéité ne se lie pas avec le vernis. Le revêtement de surface du poêle est formé par une couleur réfractaire qui se renforce pendant le premier chauffage, suite à une phase intermédiaire de ramollissement. Pendant la phase de ramollissement, il existe un danger accru d'endommagement de la surface du vernis par la main ou par un objet. Pendant le premier chauffage, le poêle doit être « allumé » avec une petite flamme, en brûlant une petite quantité de combustible, à température plutôt basse. **Tout le processus de première mise en marche du produit est effectué avec l'ouverture maximale de l'arrivée d'air. Par conséquent, les deux premiers lots de combustible doivent correspondre à la limite inférieure du mélange de combustible recommandé (à voir „FICHE TECHNIQUE“).** Tous les matériaux doivent s'habituer à la charge thermique. En effectuant le premier chauffage avec précaution, vous empêchez la création de déchirures dans les briques en chamotte, l'endommagement du vernis et la déformation des matériaux de la construction de l'insert. **Les autres quantités de combustible doivent correspondre à la dose de bois maximale autorisée (à voir „FICHE TECHNIQUE“) pendant environ 5 - 6 heures. En raison des températures les plus élevées (puissance maximale), le durcissement du vernis est appliqué.** Le durcissement du vernis du poêle est accompagné d'une odeur temporaire disparaissant complètement au bout d'un moment.

C'est pour cela que pendant que la substance pulvérisée brûle, il est nécessaire d'assurer l'aération correcte de la pièce, voire d'évacuer les petits animaux ou les oiseaux de l'espace comprenant les vapeurs de vernis, il est également recommandé d'éteindre l'oxygénation des aquariums pendant ce temps.

5.3 Allumage et chauffage

1. **Pour les poêles à bois avec grille** - insérez tout d'abord du papier chiffonné dans l'espace du foyer puis posez du petit bois dessus. Pour l'allumage, vous pouvez utiliser l'allume-feu fixe. Après l'allumage, laissez le feu brûler librement tout en gardant les éléments de régulation d'air ouverts. **Il est interdit d'utiliser des liquides inflammables (essence, pétrole, etc.) pour le chauffage !** Dès que le feu commence à brûler et que le tirage est suffisant, vous pouvez ajouter des bûches plus grandes sans avoir peur d'être enfumé. Chargez la quantité prescrite de combustible d'après le rendement nominal du poêle.

2. **Pour les poêles à bois sans grille** - seul l'air secondaire est utilisé pour la combustion, ainsi, insérez d'abord des bûches en bois dans l'espace du foyer, puis du petit bois et enfin des copeaux de bois et du papier. Après l'allumage, laissez le feu brûler librement tout en gardant les éléments de régulation d'air ouverts. **Il est interdit d'utiliser des liquides inflammables (essence, pétrole, etc.) pour le chauffage !** Dès que le feu commence à brûler et que le tirage est suffisant, vous pouvez ajouter des bûches plus grandes sans avoir peur d'être enfumé. Chargez maximale la quantité prescrite de combustible d'après le rendement nominal du poêle.

La consommation de combustible est toujours indiquée dans la fiche technique. Vous pouvez régler l'intensité de la combustion à l'aide des éléments de contrôle pour l'arrivée d'air, voire en limitant le tirage dans la cheminée, si une trappe à fumée a été installée. Une trop grande quantité de combustible ou un tirage ou une arrivée d'air importants peuvent mener à la surchauffe et à l'endommagement du poêle. Un tirage trop faible entraîne le noircissement des vitres, voire l'échappement de la fumée dans la pièce lorsqu'on ouvre la porte et que l'on charge le combustible dans le poêle.

Avertissement : La porte du foyer doit toujours être fermée sauf lors de la mise en service du poêle, lors du chargement de combustible et lors du retrait des cendres. Après chaque interruption prolongée du fonctionnement du poêle, il est nécessaire, avant de le rallumer, d'effectuer le contrôle de la non-obstruction et de la propreté des circuits de fumée, de la cheminée et de l'espace de combustion. Généralement, le réchauffement et le refroidissement de l'insert à bois s'accompagne d'effets acoustiques, cela ne constitue pas un défaut.

5.4 Chargement de combustible

Afin d'empêcher l'échappement de gaz de fumée dans la pièce pendant le chargement de combustible, nous recommandons : Environ 5 à 10 secondes avant l'ouverture de la porte du foyer, ouvrez complètement les régulateurs d'air, puis ouvrez tout d'abord légèrement la porte du foyer, attendez quelques secondes que les émanations de fumée soient aspirées dans la cheminée, et après seulement ouvrez la porte complètement. Après l'ouverture de la porte de chargement, il faut surveiller la possible chute de tisons brûlants. Après le chargement de combustible, refermez la porte du foyer. Lorsque le combustible commence à brûler (sans flamme fumeuse), réglez à nouveau le régulateur dans sa position d'origine. La quantité de combustible chargé doit correspondre à la consommation horaire indicative pour le poêle donné (cf. fiche technique). En cas de surchauffe, la construction du poêle peut être endommagée de façon irréversible.

Avertissement : Un échappement trop important de produits de la combustion dans la pièce pendant le chargement peut être évité en rajoutant le combustible après brûlement complet sur la base incandescente.

5.5 Utilisation pendant la période de transition

Pendant la période de transition, à savoir lorsque les températures extérieures dépassent 15 °C, pendant les journées pluvieuses et humides, ou encore en cas de fortes rafales de vent, le tirage de la cheminée (aspiration des produits de la combustion à partir du poêle) peut se détériorer en fonction des conditions. Pendant cette période, il convient d'utiliser le poêle avec la plus petite quantité de combustible possible, afin qu'il soit possible, en ouvrant les arrivées d'air, d'améliorer la combustion et par conséquent le tirage de la cheminée.

Astuce : Pendant cette période, à cause des propriétés du tirage de la cheminée, ce que l'on appelle « un bouchon atmosphérique » peut survenir dans la bouche de la cheminée. Ce dernier peut causer l'infiltration de fumée dans la pièce pendant l'allumage du combustible. C'est pour cela que nous recommandons, avant l'allumage en tant que tel, de laisser tout d'abord brûler un morceau de papier chiffonné, si possible dans la partie supérieure du foyer. Cette fumée qui semble pourtant minime suffit à percer le bouchon atmosphérique créé. Ensuite, nous pouvons allumer le papier (ou l'allume-feu fixe) sans crainte et le passage sera garanti même si la cheminée est humide.

Pendant cette période, on peut également chauffer le combustible comme pour les poêles à bois sans grille (sans cendrier).

5.6 Récupération des cendres

Veillez à ce que le cendrier soit vidé dès qu'il est rempli environ à moitié, de façon à ce que le tas de cendres ne s'amoncelle pas trop près de la grille et que cette dernière ne s'abîme pas pour cause de surchauffe. En même temps, les centres empêcheraient l'arrivée d'air nécessaire à la combustion. Le vidage du cendrier devrait être effectué lorsque celui-ci est froid, idéalement lorsqu'on se prépare à rallumer le poêle. Afin de nettoyer le cendrier ou encore les foyers sans cendrier lorsqu'ils sont refroidis, il est pratique d'utiliser un aspirateur destiné à l'aspiration des cendres avec filtre pour les petites impuretés. Les cendres issues du bois brûlé peuvent être utilisées pour le compost ou comme engrais. Conservez les cendres dans des récipients fermés non inflammables.

Avertissement : Avant de vider le cendrier, vérifiez s'il ne comprend pas des restes de combustible brûlant qui pourraient provoquer un incendie dans le récipient à déchets.

Avertissement : Pour certains types de poêles à bois, le cendrier est placé dans le bac sous la grille sans possibilité d'extraction latérale. Le cendrier ne peut être extrait que lorsque le dispositif chauffant ne fonctionne pas et lorsqu'il est refroidi. L'accès au cendrier est permis après soulèvement de la grille.

Soyez très prudent lorsque vous ôtez les cendres brûlantes !

6. Nettoyage et entretien

Votre poêle à bois est un produit de qualité et dans le cadre d'une utilisation normale, aucune panne majeure ne survient. Les poêle à bois ainsi que les résidus de combustion doivent être soigneusement et régulièrement vérifiés et nettoyés avant et après la saison de chauffage.

Il faut faire le nettoyage et l'entretien de l'appareil toujours et uniquement au moment où le poêle soit complètement refroidi!

La surface du poêles à bois est protégée par un traitement de surface résistant à la chaleur. Le revêtement résistant à la chaleur n'est pas anticorrosif. Évitez le contact direct avec de l'eau et avec d'autres détergents, des abrasifs ou des solvants.

Nettoyez la surface des poêle à bois avec un chiffon doux et sec !

6.1 Nettoyage de la vitre

Afin de conserver la propreté de la vitre, il faut veiller à utiliser un combustible adapté, permettre une arrivée d'air de combustion suffisamment importante ainsi qu'un tirage de cheminée correspondant, mais il faut également prendre en compte la façon dont le poêle est manipulé. Dans cet ordre d'idées, nous recommandons de ne charger qu'une seule couche de combustible et ceci de façon à ce que ce dernier soit réparti le plus équitablement possible dans le foyer et à ce qu'il soit le plus loin possible de la vitre. Si la vitre est salie pendant le processus de chauffage, nous recommandons d'augmenter l'intensité de la combustion en ouvrant le régulateur d'air, ce qui entraîne généralement le nettoyage automatique de la vitre.

Si la vitre de la porte est enfumée, on peut la nettoyer, lorsque celle-ci est refroidie, à l'aide de papier journal ou d'un chiffon humide trempé dans des cendres de bois. Usuellement, au moment de nettoyage de la vitre d'un poêle, les nettoyeurs liquides sont utilisés.

Mais ces nettoyeurs liquides peuvent endommager le joint et/ou la vitre et/ou la sérigraphie décorative sur la vitre du poêle, en interaction avec les résidus de combustion (particules de cendre,.. etc.) et sans l'égard à la composition chimique du nettoyant.

Le fabricant décline toute responsabilité des dégâts causés par l'utilisation des nettoyeurs chimiques.

6.2 Nettoyage du poêle / démontage des chamottes

Pendant le nettoyage, il est nécessaire d'éliminer les résidus dans les conduits de fumée et dans l'espace de combustion. Réparer, si possible en les échangeant, les parties du garnissage en chamotte qui sont tombées. Il faut veiller à ce que le garnissage en chamotte soit complet même pendant la saison de chauffage. Les espaces entre les différents raccords en chamotte servent de dilatation thermique afin d'empêcher que les raccords n'éclatent et ces espaces ne doivent pas être remplis par quoi que ce soit, par exemple une substance pour graisser comme c'était le cas pour les dispositifs chauffants à combustible solide plus anciens. **Les raccords en chamotte fissurés restent fonctionnels s'ils ne tombent pas complètement !** Pendant le nettoyage, nous recommandons d'enlever du poêle les parois librement placées servant à diriger le tirage, si ces dernières sont utilisées pour le poêle (ainsi, l'accès à l'espace situé au-dessus est facilité). Le nettoyage du poêle (en dehors de la vitre) est effectué sans agents aqueux, par exemple par aspiration ou avec une brosse en acier. Toute modification du poêle est inadmissible. N'utilisez que des pièces de rechange approuvées par le fabricant. Démontage de la chamotte (cf. Âtre en chamotte). Les parties de frottement des suspensions de la porte et du mécanisme de fermeture doivent être graissées de temps en temps avec de la graisse de charbon ou de la graisse conçue pour des températures élevées. Fermez le poêle avec les vannes adaptées lorsqu'il est hors d'usage.

6.3 Nettoyage de la cheminée

Chaque utilisateur d'un dispositif de chauffage à combustible solide est tenu d'assurer des contrôles et un nettoyage réguliers de la cheminée conformément au **règlement du gouvernement n° 34/2016 du J.O. daté du 22.1.2016.**

7. Mode de liquidation des emballages et du produit hors d'usage

Dans le sens de la loi n° 125/1997 du J.O. et des règlements connexes, nous recommandons le procédé suivant de liquidation de l'emballage ainsi que du produit prêt à être liquidé.

L'emballage :

- a) utiliser les parties en bois de l'emballage pour chauffer
- b) placer l'emballage en plastique dans un container pour déchets triés
- c) déposer les vis et les manches dans les matériaux triés.
- d) placer le sachet avec le séparateur d'humidité de l'air dans un récipient à déchets séparé

Le produit prêt à être liquidé :

- a) démonter et placer la vitre dans un container pour déchets triés
- b) déposer les joints et les plaques en chamotte dans les déchets communaux
- c) déposer les parties en métal dans les matériaux triés

8. Garantie

Avant de mettre le poêle en service, il est important que vous lisiez la lettre de garantie ci-jointe. Vous y trouverez les conditions qui doivent être rempli afin que les droits de garantie soient reconnus.

Les dommages causés par une mauvaise utilisation ne sont pas couverts par la garantie.

IT Manuale generale per l'installazione e l'uso dei termocamini della ditta Romotop spol. s r.o.

- valido in generale per tutti i tipi di termocamini prodotti dalla ditta Romotop spol. s r.o.
Nella scheda tecnica allegata sono riportati i dati tecnici dettagliati del singolo tipo di termocamino.

Montaggio, collegamento e messa in funzione del forno può essere effettuate solo da rivenditori autorizzati Romotop spol. s r.o..

**I termocamini possono essere utilizzati esclusivamente in conformità con il presente manuale!
Non è consentito realizzare modifiche non autorizzate dei termocamini!**

1. Introduzione
2. Descrizione tecnica
3. Norme di sicurezza
 - 3.1 Distanze di sicurezza
 - 3.1.1 Distanze di sicurezza tra il termocamino ed eventuali materiali infiammabili
 - 3.1.2 Distanza di sicurezza tra condotto di evacuazione dei fumi e materiali infiammabili o strutture edilizie
 - 3.2 Protezione della pavimentazione
 - 3.3 Misure in caso di incendio nel camino
4. Istruzioni per l'assemblaggio
 - 4.1 In generale
 - 4.2 Collegamento al camino
5. Manuale d'uso
 - 5.1 Combustibile
 - 5.2 Prima messa in funzione del termocamino
 - 5.3 Accensione del fuoco e riscaldamento
 - 5.4 Aggiunta del combustibile
 - 5.5 Impiego nel corso dei periodi di transizione
 - 5.6 Estrazione della cenere
6. Pulizia e manutenzione
 - 6.1 Pulizia del vetro
 - 6.2 Pulizia del termocamino / smontaggio chamotte
 - 6.3 Pulizia del camino
7. Modalità di smaltimento della confezione e del prodotto dismesso
8. La garanzia

1. Introduzione

Grazie per aver acquistato uno dei nostri termocamini. Le porgiamo al tempo stesso le nostre congratulazioni poiché Lei è divenuto/a proprietario/a di un termocamino di altissimo livello realizzato dalla ditta Romotop spol. s r.o., uno dei maggiori produttori europei di termocamini.

I nostri termocamini possono servire non soltanto come riscaldamento complementare volto a rafforzare l'atmosfera della vostra casa o altro locale, ma anche come fonte di riscaldamento principale con elevata prestazione termica, utilizzo privo di polvere e combustione perfetta, con il massimo rispetto per l'ambiente. Tutti i termocamini prodotti dalla nostra ditta sono testati secondo la norma **ČSN EN 13 240/2002+A2/2005**.

Il manuale e la scheda tecnica vanno studiati attentamente nel proprio interesse. Ai fini di un utilizzo sicuro l'utente ha l'obbligo di informarsi regolarmente circa la corretta integrazione e funzionamento del presente dispositivo. Il manuale e la scheda tecnica vanno ben conservati in modo tale da essere riletti all'inizio di ciascuna stagione invernale per assicurare il regolare funzionamento del vostro termocamino.

La garanzia per i nostri prodotti è assicurata soltanto nel caso in cui siano ben rispettate le istruzioni contenute nel presente manuale d'uso del termocamino.

2. Descrizione tecnica

Il termocamino è progettato per l'installazione in ambienti interni (appartamenti, edifici di comune utilità, ristoranti). I termocamini Romotop spol. s r.o. sono prodotti in materiale di qualità – materiale edilizio, ghise, acciaio COR-TEN ed altri tipi di acciaio di alta qualità per fini edilizi e per caldaia. I pezzi sottoposti a stress sono in acciaio HARDOX. La superficie delle parti in acciaio è protetta da una vernice opaca resistente al calore. Le vernici resistenti al calore non sono anticorrosive. La camera di combustione dei termocamini interamente in lamiera è riempita con lastre in chamotte estraibili che – al fine di evitare loro possibili danneggiamenti causati dalla dilatazione termica – non sono unite da nessun materiale di riempimento. La camera di combustione è chiudibile in maniera ben stabile grazie a uno speciale sportello in vetro resistente al calore. Il vetro non soltanto aumenta il valore estetico del focolare, ma consente anche un piacevole effetto creato dal passaggio del calore per irradiazione. La vetrata impedisce allo stesso tempo la caduta di scintille dal legno che brucia e la fuoriuscita di fumi nel locale. Il fondo della fornace è generalmente costituito da una griglia estraibile in ghisa. Davanti alla griglia è di solito collocata una barriera che impedisce la caduta e lo spostamento di combustibile verso lo sportello (vetrata anteriore) oppure un elemento in lamiera o ceramica. Nelle fornaci con griglia al di sotto della griglia stessa si trova un apposito spazio per il cassetto della cenere. In alcuni tipi è possibile impostare il bocchettone del condotto fumi sia per la canna superiore che posteriore. I termocamini sono realizzati con versione a doppio strato di copertura. Lo spazio tra gli strati di copertura è impiegato per il riscaldamento dell'aria. Lo strato interno è munito nella sua parte superiore di sfiati per l'aria riscaldata. Lo strato esterno può essere caratterizzato da ceramica o pietra per mettere in risalto il design e per migliorare le proprietà di accumulo di calore dei termocamini. In alcuni tipi di termocamini la struttura a doppio strato di copertura è adattata al riscaldamento TUV con la possibilità di collegamento ad impianti di riscaldamento standard. Questi termocamini possono essere dotati di un sistema di raffreddamento a loop contro il surriscaldamento in caso di black-out di corrente.

I termocamini dotati di immissione separata di aria di combustione primaria e secondaria sono muniti di appositi elementi di comando. L'aria primaria è immessa direttamente nel combustibile che arde (solitamente attraverso il cassetto della cenere e la griglia); quest'aria serve per la reazione di combustione primaria. L'aria secondaria sostiene la combustione dei gas infiammabili residui nei fumi, in modo da aumentare la potenza termica del dispositivo, con inoltre un contributo significativo alla riduzione della quantità di sostanze inquinanti che si sprigionano nell'atmosfera. L'aria secondaria affluisce principalmente nello spazio al di sopra del combustibile che arde. Grazie alla presenza dell'aria secondaria si verifica il fenomeno del cosiddetto "rotolamento" (trascinamento) dell'aria fredda lungo la parte interna del vetro frontale. Questo processo impedisce anche l'annerimento del vetro. Allorché l'aria primaria è socchiusa o completamente chiusa, l'aria secondaria partecipa anche alla combustione primaria. L'aria primaria non va lasciata completamente aperta durante la fase di riscaldamento, quando il tiraggio del camino è ancora basso. Una volta riscaldato il camino è possibile socchiudere l'immissione dell'aria primaria fino a chiuderla completamente (in base alla prestazione richiesta dalla stufa). Per ridurre la potenza del termocamino è possibile limitare anche la dose di combustibile oppure il tiraggio del camino mediante l'installazione di valvole di tiraggio (rubinetto d'arresto manuale nel

condotto fumi che chiude il passaggio dell'aria fino a un massimo del **75%**). Questo accorgimento è consigliato soprattutto in caso di tiraggio del camino intorno o al di sopra di **20Pa**. L'arresto secondario serve per chiudere completamente la stufa quando non è utilizzata. Il focolare e il coperchio del cassetto della cenere devono essere sempre chiusi, tranne che nelle fasi di messa in servizio, riempimento del combustibile ed eliminazione dei residui solidi della combustione (al fine di evitare lo sprigionarsi di fumi nell'ambiente).

Alcuni termocamini sono dotati di uno scambiatore ad accumulo termico, un dispositivo volto ad incrementare l'efficienza della stufa e quindi a sfruttare al massimo l'energia del combustibile.

Alcuni termocamini sono realizzati già con afflusso centralizzato di aria (**ACA**). Ciò permette che l'aria destinata alla combustione affluisca nella camera di combustione dall'esterno*, dall'anticamera, dai locali tecnici, ecc. I termocamini con **ACA** non sono dipendenti dalla quantità di aria nell'ambiente riscaldato. Contribuiscono pertanto al mantenimento di un clima gradevole nella vostra casa e riducono anche le spese energetiche (in casa non si consuma l'aria già una volta riscaldata). Quando si installa afflusso centralizzato di aria (**ACA**) sulla parete, è importante assicurarsi che il tubo abbia un angolo negativo **3°** rispetto al prodotto. Le linee **ACA** devono essere isolate.

I termocamini con **ACA** sono assolutamente indicati per l'installazione in case a basso consumo energetico. **Per aumentare il confort è possibile aggiungere la regolazione elettronica della combustione al sistema di riscaldamento di alcune stufe con ACA. Questo sistema** permette inoltre di prolungare il processo di combustione e la frequenza delle ricariche di legna, aumentando la sicurezza dell'impiego e limitando le perdite economiche nella fase di riscaldamento e surriscaldamento della stufa (la valvola dell'afflusso centralizzato dell'aria è comandata da un'unità di comando e da un servomotore a seconda delle date fasi di combustione e temperatura di uscita dei fumi).

Avvertimento: I termocamini non sono delle stufe ad irradiazione continua e prevedono interruzioni periodiche dell'impiego, specie a causa dello svuotamento del cassetto della cenere (che va effettuato solo a ceneri fredde).

**Quando si collega a una presa d'aria esterna (esterna), si consiglia di installare una valvola a doppio effetto con un bracciale in silicone con la possibilità di chiudere la presa d'aria. Ciò eviterà la corrosione dovuta alla condensa quando la prodotto è fuori servizio. La garanzia non copre i danni causati dalla corrosione!*

Attenzione, è necessario prestare attenzione per garantire che la serranda sia sempre aperta quando il prodotto è in funzione!

3. Norme di sicurezza

I termocamini possono essere utilizzati in ambienti normali ai sensi della norma **ČSN 33 2000-1 ed.2/2009**. In caso di modifica all'ambiente con possibilità di incendi anche temporanei o di esplosioni (per esempio in caso di applicazione di linoleum, PVC, durante lavori in cui si utilizzano materiali di rivestimento ecc.) è necessario provvedere puntualmente a mettere fuori servizio il termocamino prima ancora che si possano creare condizioni di pericolo. Il termocamino può essere impiegato soltanto dopo aver ben aerato l'ambiente (il modo migliore è creando correnti d'aria).

Durante l'impiego è necessario assicurare l'afflusso di una quantità sufficiente di aria di combustione nonché di aria destinata all'aerazione dell'ambiente, soprattutto quando il termocamino è impiegato simultaneamente ad altri dispositivi termici (da **8 a 15m³** circa per bruciare 1 kg di combustibile)! Se le porte e le finestre sono ben chiuse senza perdite d'aria, le suddette condizioni non vengono comunque ad essere così indispensabili! Questo problema è risolto dal sistema **ACA**, collegato ad un locale separato. Allo stesso tempo bisogna stare attenti a non far intasare la griglia di regolazione dell'aria di combustione, aerazione e riscaldamento. Quando si effettua la ricarica di combustibile lo sportello va aperto sempre delicatamente. In questo modo si eviterà la fuoriuscita di fumo e cenere nell'ambiente. I termocamini richiedono interventi e monitoraggio occasionali.

Per l'accensione e per la fase di riscaldamento non è consentito utilizzare liquidi infiammabili! Si fa inoltre divieto di bruciare qualsiasi tipo di materiale plastico, legna ricoperta o intrisa di leganti chimici (compensato, ecc.) o rifiuti domestici non separati contenenti residui plastici ecc. (ai sensi della **legge 201/2012**).

Durante la fase di riscaldamento fare attenzione a non lasciare che i bambini manipolino o siano troppo vicini al termocamino. Le operazioni sui termocamini possono essere eseguite solo da una persona adulta!

Mentre il termocamino è in funzione tutte le varie manopole e pulsanti vanno manipolati attraverso tenaglie, gancetti o guantone termoresistente (presina) – v'è infatti pericolo di ustione! Durante il funzionamento e per tutto il tempo in cui il termocamino è ancora caldo è vietato appoggiare sul termocamino eventuali oggetti in materiale infiammabile che potrebbero causare incendi. È necessario essere particolarmente attenti durante la fase di manipolazione del cassetto della cenere ed eliminazione della cenere calda, dato che si rischia di rimanere ustionati. La cenere calda non può essere a contatto con oggetti infiammabili - per esempio non va mai scaricata in contenitori di rifiuti urbani.

Nell'utilizzo stagionale e in caso di cattivo tiraggio o condizioni climatiche avverse, è necessario dedicare particolare attenzione alla fase di messa in servizio del termocamino. Dopo il periodo di interruzione, prima di riaccendere, è necessario controllare che non si siano intasate le vie dei fumi.

Nella fase di utilizzo ed installazione dei termocamini è necessario rispettare le norme di sicurezza secondo ČSN 06 1008/1997, soprattutto:

3.1 Distanze di sicurezza:

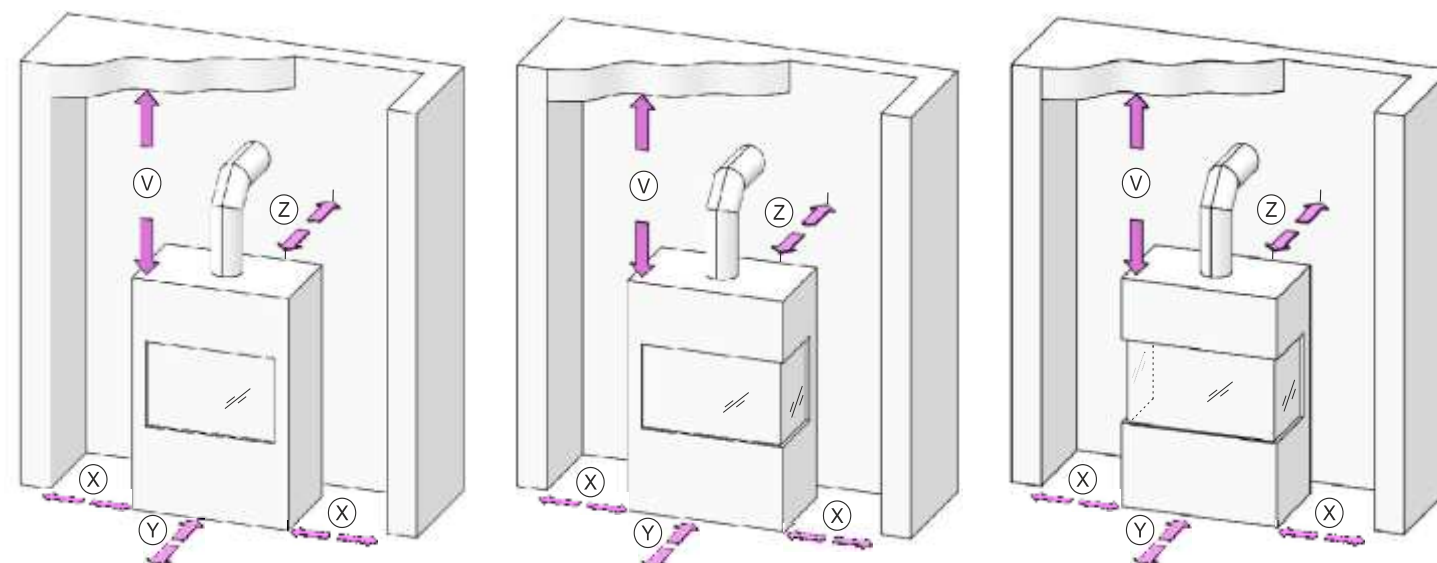
3.1.1 Distanze di sicurezza tra il termocamino ed eventuali materiali infiammabili

In fase di installazione del termocamino in ambienti con presenza di oggetti infiammabili appartenenti alla classe **B, C a D** è necessario rispettare la distanza di sicurezza prevista nella norma **ČSN 06 1008/1997** (dallo sportello **80cm** e nelle altre direzioni **20cm**), si veda la **Scheda tecnica** e la **Targhetta di produzione**, salve le disposizioni diverse del produttore.

Nel caso in cui il termocamino sia installata in ambienti con presenza di oggetti infiammabili appartenenti alla classe **E o F** è necessario raddoppiare le suddetta distanze. Per informazioni sul livello di infiammabilità di alcuni materiali edili si rimanda alla **ČSN EN 13501-1+A1/2010** e **ČSN 73 0810/2016**. Qualora non fosse possibile rispettare la distanza di sicurezza tra la stufa e le sostanze infiammabili come previsto dalla norma, è necessario utilizzare una barriera di protezione come da **4.4.1 ČSN 06 1008/1997**.

Materiali da costruzione classificati in base alla classe fuoco	
A1 o A2	granito, gres, cementi, mattoni, piastrelle in ceramica, intonaci spec. ...
B	akumin, heraklit, lihnos, itaver ...
C	legno di latifoglie, compensato, sirkoklit, formica carta, umakart ...
D	legno di tenero, pannelli di particelle, solodur, lastre in sughero, gomma, materiali da pavimentazione
E o F	tavole in fibra di vetro, polistirolo, poliuretano ...

Distanza da materiali infiammabili, vedi. Tabella Scheda tecnica



3.1.2 Distanza di sicurezza tra condotto di evacuazione dei fumi e materiali infiammabili o strutture edilizie

La distanza di sicurezza minima tra il rivestimento degli stipiti delle porte o altre strutture architettoniche con simili funzioni in materiale infiammabile e l'installazione del condotto (compreso isolamento) è pari a **20cm**. La distanza minima dagli altri componenti strutturali in materiale infiammabile è pari a **40cm** ai sensi della norma ČSN 06 1008/1997. Trattasi di materiale edile di classe **B, C e D** ai sensi della norma ČSN EN 13501-1+A1/2010 (vedi tabella n.1). Questa regola vale anche per le pareti e soprattutto per i soffitti con intonaco con base infiammabile - per esempio assi, pannelli ecc.! Qualora non fosse possibile rispettare le suddette distanze, è necessario comunque prevenire il pericolo d'incendio ricorrendo ad apposite misure tecnico-strutturali, rivestimenti non infiammabili, isolamenti e barriere resistenti al calore.

3.2 Protezione della pavimentazione

Se il termocamino non è installato su una superficie che non sia al **100%** non-infiammabile, è necessario collocarla su una base isolante non-infiammabile, per esempio in lamiera (spessore min. 2 mm), ceramica, vetro, pietra, in modo che la temperatura della superficie infiammabile (ai sensi della norma ČSN 73 4230/2014) non superi i **50°C** durante il funzionamento.

In base a 5.1.3.3 ČSN 06 1008/1997 la base isolante deve superare in dimensioni il focolare di almeno

- **30cm** in direzione perpendicolare allo sportello del termocamino.
- **10cm** in direzione parallela allo sportello del termocamino.

È vietato collocare oggetti in materiale infiammabile sul termocamino o a distanza inferiore alla distanza di sicurezza dal termocamino.

3.3 Misure in caso di incendio nel camino:

Con il normale funzionamento (e soprattutto se si utilizza combustibile umido) si creano dei depositi di fuliggine e catrame nel camino. Se si trascurano i controlli regolari e la pulizia del camino (**come da decreto governativo n. 34/2016 Racc. del 22.1.2016** aumenteranno i rischi di incendio.

Nel caso in cui la fuliggine e il catrame nel camino prendano fuoco, procedere come segue:

- non estinguere mai con acqua poiché si formerebbe una gran quantità di vapore con conseguente rottura del camino
- se possibile, si consiglia di cospargere sabbia asciutta nel focolare e quindi estinguere il fuoco
- chiudere tutte le entrate di aria per la combustione; se possibile coprire il camino, senza che però il fumo di ritorno si accumuli nell'ambiente domestico
- contattare il corpo dei vigili del fuoco locale per valutare se è necessario o meno chiamare il pronto intervento dei pompieri
- finché le fiamme nel camino non si sono estinte, non lasciate la casa, ma controllare continuamente la temperatura del camino e il comportamento del fuoco che brucia
- una volta cessato l'incidente, prima di riaccendere il caminetto, contattare il servizio spazzacamini per valutare lo stato del camino nonché il produttore del termocamino per un'ispezione allo stesso.

4. Istruzioni per l'assemblaggio

Avvertimento: Durante l'assemblaggio del termocamino è necessario rispettare tutte le prescrizioni locali, comprese quelle relative alle norme nazionali ed europee per questo tipo di dispositivi, e in particolare:

ČSN 73 4230/2014 – Caminetti con apertura/chiusura del focolare

ČSN EN 13229/2002+A1/2003+A2/2005 – Dispositivi integrati per il riscaldamento e inserti camino a combustibile solido

ČSN EN 13240/2002+A2/2005 – Dispositivi a combustibile solido per il riscaldamento di ambienti abitati

ČSN 73 4201/2016 ed.2 – Camini e canne fumarie – Progettazione, esercizio e collegamento dei dispositivi a combustibile

ČSN EN 1443/2004 - Camini – Requisiti generali

ČSN EN 13501-1+A1/2010 – Classificazione antincendio dei prodotti per l'edilizia e delle strutture dei fabbricati

ČSN 06 1008/1997 – Dispositivi di sicurezza antincendio

Decreto **no. 268 / 2011 racc.** - le condizioni tecniche per la protezione antincendio degli edifici

4.1 In generale

I termocamini devono essere installati su superfici aventi capacità di carico adeguata. Se le condizioni strutturali non soddisfano questa condizione indispensabile, è necessario prendere opportune misure per rispettare tale requisito (per esempio utilizzo di una base di distribuzione del carico). In fase di installazione è necessario assicurare un adeguato spazio di accesso per la pulizia del termocamino, del condotto fumi e del camino, a meno che non sia possibile effettuare la pulizia da un'altra zona (per esempio dal tetto oppure da apposito sportello).

4.2 Collegamento al camino

Prima di assemblare il termocamino chiuso è necessario eseguire opportuni calcoli volti ad assicurare che la struttura del camino (per la sua fattura, dimensioni degli sfiati e altezza utile) sia conforme alla potenza nominale del termocamino.

Un presupposto essenziale per il corretto funzionamento del termocamino è un buon camino (sezione minima, tiraggio del camino, guarnizioni, ecc.). Pertanto è necessario consultare il servizio spazzacamino prima ancora di installare il termocamino. I valori relativi al camino sono riportati nella scheda tecnica allegata. Se il tiraggio del camino è troppo alto, è opportuno installare un'adeguata valvola o un regolatore di tiraggio del camino. Un tiraggio troppo elevato può causare problemi durante il funzionamento, per esempio combustione troppo intensa ed elevato consumo di combustibile, con possibili conseguenti danni permanenti al termocamino.

L'altezza utile minima del camino per lo scarico dei fumi dal termocamino è **5m** (con misurazione dall'anello fino all'uscita del camino). L'ingresso del camino deve essere munito di apposito anello di rinforzo. Per il collegamento alla canna fumaria consultare il produttore della canna fumaria. La canna fumaria deve essere fatta passare ad almeno **5cm** al di sotto del soffitto. Il bocchettone di scarico va collegato al camino secondo il percorso più corto possibile, in modo che la lunghezza delle vie dei fumi sia pari a massimo **1/4** dell'altezza utile del camino (ovvero **1,5m**). I tubi del condotto fumi e il tubo a gomito vanno collegati in maniera ben serrata tra di loro (con sovrapposizione), in maniera tale che i giunti siano sempre posizionati in conformità con il flusso dei fumi – o altrimenti con collegamento testa a testa mediante anelli di giunzione. Se il pezzo di giunzione passa attraverso elementi edilizi realizzati in materiale infiammabile è necessario adottare misure di protezione ai sensi della norma ČSN 06 1008/1997. Secondo la norma il condotto fumi deve salire in direzione della canna fumaria seguendo il flusso dei fumi, con un angolatura minima di **3°**. Fattori molto importanti sono il serraggio e la robustezza dei giunti. Il camino e il collegamento della stufa devono essere conformi alla norma ČSN 73 4201/2016 ed.2. Il rivestimento del camino (alla più alta temperatura di esercizio del caminetto) non può avere una temperatura superiore a **52°C**. La sezione degli sfiati del condotto fumi non può essere superiore alla sezione dello sfiato del camino e non può neanche restringersi in direzione del camino. Se dai calcoli risulta che la sezione dello sfiato del condotto fumi e del camino può essere inferiore alla sezione del bocchettone di scarico fumi del termocamino, si ridurrà la sezione del condotto fumi immediatamente dietro al bocchettone fumi del termocamino (con una leggera inclinazione o scarto). Il condotto fumi flessibile in mat. come da tab. **A.1.** può essere utilizzato soltanto in locali dove è possibile assicurare un controllo come da **7.2.1 ČSN 73 4201/2016 ed.2**, se il condotto fumi non passa attraverso spazi liberi, è necessario garantire il relativo controllo

ai sensi di **7.2.5 ČSN 73 4230/2014**. I condotti fumi verticali possono essere utilizzati soltanto nei casi riportati in **8.3.4 e 8.3.5 ČSN 73 4230/2014**.

Il termocamino può essere collegato ad uno sfiato comune con eventuali apparecchi a gas **in camini a più strati secondo la norma ČSN 73 4201/2016 ed.2**.

La fuoriuscita di acqua nel prodotto quando si utilizza una canna fumaria verticale con funzione camino non è motivo di reclamo!

Installando le stufe della società ROMOTOP spol. s r.o. nella RFG in ottemperanza alla disposizione dell'art. **6.2.2** della norma **DIN 18 896** è possibile collegarle alla canna fumaria comune.

5. Manuale d'uso

5.1 Combustibile

Nei termocamini è possibile bruciare soltanto legna che siano conformi alla legge **n. 201/2012 Racc.** Ai fini del raggiungimento dei parametri nominali della stufa si consiglia di utilizzare legna secca di diametro **5-8cm**, lunghezza **20-30cm** e umidità inferiore al **20%** (valore ottimale **10%**). Eventuali scaglie e pezzetti minuti di legno possono essere impiegati solo in fase di accensione. Il grado di secchezza consigliato per il legno viene raggiunto immagazzinando la legna per almeno due anni in un ambiente coperto e ventilato.

Utilizzando i termocamini come fonte di riscaldamento è necessario rispettare la potenza nominale riportata nella scheda tecnica, ovvero combustione della data quantità di combustibile nell'arco di **1 ora**. In caso di sovraccarico eccessivo e di lunga durata si rischia di danneggiare il termocamino.

Come combustibile non utilizzare mai liquidi infiammabili, coke, carbone o rifiuti come: pannelli in compensato, materiale plastico, sacchetti, legna bagnata oppure solo trucioli di legno segatura o pellet!

!!! La combustione di questi materiali non solo inquina l'ambiente arrecando danni a noi tutti, ma rovina anche la stufa e il camino !!!

5.2 Prima messa in funzione del termocamino

Precedentemente alla prima messa in funzione è necessario eliminare eventuali etichette dal vetro ed eventuali accessori nel cassetto della cenere o nel focolare, compresi ovviamente elementi di fissaggio per il trasporto. **I tappi in plastica presenti sulle giunzioni filettati non hanno nessuna funzione. Sono presenti solo per facilitare il trasporto.**

Seguendo la figura nella scheda tecnica verificare che i pannellini per il direzionamento del tiraggio, i mattoni in chamotte e la sbarra siano ben posizionati (è possibile infatti che durante il trasporto o in fase di installazione si siano spostati e non siano più nella posizione corretta). Se si riscontra un determinato difetto di posizione, provvedere a correggerlo; altrimenti sarà messo a repentaglio il corretto funzionamento della stufa. Una volta installata la stufa ed effettuato il collegamento al camino (eventualmente anche il collegamento dello scambiatore alle condutture dell'acqua calda e il suo riempimento con vettore termico) procedere con l'accensione e far bruciare lentamente per almeno due ore. Prima e durante la prima accensione lasciare lo sportello della stufa e il cassetto della cenere leggermente aperti (**circa 10 – 20 mm**) per evitare che il materiale isolante non si attacchi alla vernice. Per il trattamento di superficie del termocamino è impiegata vernice a prova di calore che alla prima accensione (dopo un temporaneo ammorbidimento) finisce per indurirsi. Durante la fase di ammorbidimento attenzione all'aumentato rischio di danni alla superficie verniciata se vi si appoggiano le mani o altri oggetti. Durante la fase della prima accensione il termocamino deve "bruciare" con piccole fiamme, con quantità minori di combustibile e a temperature più basse del solito. **L'intero processo di messa in funzione della prodotto avviene con l'alimentazione dell'aria completamente aperta. Per questo motivo, le prime due quantità di carburante devono corrispondere al limite inferiore della quantità di carburante consigliata. (Vedi tabella - SCHEDA TECNICA).** Tutti i materiali devono abituarsi al carico termico. Se

questa fase è eseguita con la dovuta cautela si impedirà la comparsa di screpolature nei mattoni in chamotte, danni alla vernice e deformazioni dei materiali di costruzione dell'inserito. **Le successive le quantità di combustibile devono corrispondere alla quantità massima consentita di legna (vedi tabella - SCHEDA TECNICA), mentre 5-6 ore. La temperatura più alta (potenza max.) Fa indurire la vernice.** La fase di indurimento della vernice del termocamino è caratterizzata da un cattivo odore temporaneo, che dopo un po' scomparirà del tutto.

Pertanto durante questa fase è necessario assicurare una buona aerazione del locale ed eventualmente evitare la presenza di animali domestici di piccola taglia o uccelli nei locali contaminati dai vapori della vernice; durante questa fase si consiglia anche di spegnere il dispositivo di rigenerazione dell'aria degli acquari.

5.3 Accensione del fuoco e riscaldamento

1. **Nei termocamini con griglia** – nell'alloggiamento del focolare collocare dapprima la carta e su di essa i pezzetti di legno. Per accendere il fuoco si possono utilizzare prodotti accendifuoco tipo diavolina. Una volta acceso il fuoco lasciar bruciare ricordandosi di tenere aperti gli elementi di regolazione dell'aria. **Si fa divieto di utilizzare sostanze infiammabili liquide per accendere il fuoco (benzina, petrolio ecc.)!** Non appena il fuoco comincia ad ardere bene e il tiraggio è sufficiente, si possono inserire i pezzi di legno più grandi senza temere di far troppo fumo. Inserire la quantità stabilita di combustibile a seconda della potenza nominale del termocamino.

2. **Nei termocamini senza griglia** – per la combustione si utilizza soltanto l'aria secondaria; pertanto bisogna dapprima inserire la legna nel focolare, poi i legnetti piccoli e infine i ceppi e la carta. Una volta acceso il fuoco lasciar bruciare ricordandosi di tenere aperti gli elementi di regolazione dell'aria. **Si fa divieto di utilizzare sostanze infiammabili liquide per accendere il fuoco (benzina, petrolio ecc.)!** Non appena il fuoco comincia ad ardere bene e il tiraggio è sufficiente, si possono inserire i pezzi di legno più grandi senza temere di far troppo fumo. Inserire la quantità stabilita di combustibile a seconda della potenza nominale del termocamino.

Il consumo di combustibile è sempre indicato nella scheda tecnica. L'intensità della combustione va regolata mediante gli appositi elementi di comando dell'immissione d'aria o eventualmente limitando il tiraggio nel camino, se v'è una valvola fumi installata. Un'ingente quantità di combustibile o un forte tiraggio e immissione d'aria può causare surriscaldamento e danni al termocamino. Un tiraggio troppo basso causa l'annerimento del vetro e l'eventuale fuoriuscita di fumo nel locale quando si va ad aprire lo sportello per reinserire legna nel termocamino.

Avvertimento: Lo sportello del focolare deve essere sempre chiuso, fatta eccezione per la fase di messa in funzione, ricarica del combustibile ed eliminazione delle ceneri. Dopo l'interruzione dell'uso, prima di ripetere l'accensione è necessario controllare la viabilità e la pulizia del condotto fumi, camino e luogo di combustione. In generale il riscaldamento e il raffreddamento dell'inserito camino è accompagnato da un effetto acustico che non è assolutamente da considerare un difetto

5.4 Aggiunta del combustibile

Al fine di evitare la fuoriuscita dei gas dei fumi nel locale durante la fase di ricarica della legna, si consiglia: circa 5-10 secondi prima di aprire lo sportello del focolare aprire completamente i regolatori d'aria, quindi aprire di poco lo sportello con molta cautela, attendere alcuni secondi affinché i fumi vengano aspirati nel camino e infine aprire completamente lo sportello. Dopo aver aperto lo sportello è sempre necessario prestare molta attenzione poiché possono cadere tizzoni ardenti. Dopo l'inserimento del combustibile richiudere lo sportello del focolare. Una volta che il fuoco arde bene (senza fiamma che fa fumo), riposizionare il regolatore nella posizione originaria. La quantità di combustibile inserito deve corrispondere al consumo orario indicativo per il dato termocamino (vedi scheda tecnica). In caso di surriscaldamento si possono registrare danni permanenti alla struttura della stufa.

Avvertimento: Per evitare l'eccessiva fuoriuscita di gas nel locale durante la fase di ricarica della legna raggiungere combustibile dopo la sua totale combustione sulla brace ancora ardente.

5.5 Impiego nel corso dei periodi di transizione

Durante i periodi di transizione (ovvero a temperature esterne superiori a 15°C, in giornate di pioggia e umide, con forti ventilate) si possono verificare problemi con il tiraggio del camino (estrazione dei fumi dal termocamino). Durante questo periodo è opportuno far funzionare il termocamino con la quantità più esigua possibile di combustibile, in modo tale che – aprendo l'immissione d'aria – sia possibile migliorare la combustione e quindi anche il tiraggio del camino.

Consiglio: Durante questi periodi, per effetto delle caratteristiche del tiraggio del camino, si può creare un intasamento atmosferico a livello della bocca del camino. Questo fenomeno può provocare fumo nel locale al momento dell'accensione del combustibile. Si consiglia pertanto - prima di accendere il fuoco - di lasciar prima ardere completamente un po' di carta, preferibilmente nella parte alta del focolare. Il fumo che ne fuoriesce, pur apparentemente trascurabile, è comunque sufficiente per perforare e quindi eliminare l'intasamento atmosferico. Quindi si può tranquillamente accendere la carta (o la diavolina) poiché ora è garantito il giusto passaggio d'aria anche con camino umido.

Durante questi periodi è anche possibile riscaldare come nei termocamini senza griglia (senza cassetto della cenere).

5.6 Estrazione della cenere

Il cassetto della cenere deve essere svuotato già quando è metà pieno, in modo che il monte di cenere non si avvicini troppo alla griglia provocando danni a causa del surriscaldamento. Allo stesso tempo la cenere ostacolerebbe l'afflusso d'aria necessaria per la combustione. Il cassetto della cenere va svuotato quando è freddo, preferibilmente durante la fase di preparazione di un'altra accensione. Per la pulizia del cassetto della cenere o del focolare senza cassetto della cenere – sempre a freddo – si può benissimo utilizzare un aspirapolvere idoneo per l'aspirazione di cenere con filtro per impurità fini. La cenere prodotta dalla legna bruciata può essere compostata oppure usata come fertilizzante. La cenere va collocata in contenitori chiusi di materiale non infiammabile.

Avvertimento: Prima di svuotare il cassetto della cenere verificare che non vi siano residui di carburante ardenti che potrebbero incendiare il contenitore dei rifiuti.

Avvertimento: Per alcuni tipi di termocamini il cassetto della cenere è collocato in un carter sotto la griglia e non è possibile estrarlo lateralmente. In questo caso il cassetto può essere estratto solo quando la stufa è spenta e fredda. Per accedere al cassetto della cenere bisogna alzare la griglia.

Prestare particolare attenzione alla fase di rimozione della cenere calda!

6. Pulizia e manutenzione

I termocamini sono un prodotto di qualità e in condizioni di normale impiego non si verifica nessun danno rilevante. Stufa a legna e canna fumaria gas percorsi devono essere regolarmente e accuratamente controllati e puliti prima e dopo la stagione di riscaldamento.

Pulizia ed ispezione del focolare sono da fare solamente con camera combustione spenta e fredda!

La superficie del focolare è stata trattata con un'impregnante termoresistente. Questa protezione non sigilla la superficie per corrosione. Evitate diretto contatto con acqua, prodotti di pulizia, materiali abrasivi e solventi. Le superfici possono essere pulite con un panno secco e morbido!

6.1 Pulizia del vetro

I fattori importanti per mantenere pulito il vetro sono combustibile adeguato, afflusso sufficiente di aria di combustione, buon tiraggio del camino e infine la modalità di utilizzo e funzionamento del termocamino. A riguardo consigliamo di applicare solo uno strato di combustibile in modo che la legna sia posizionata nel focolare nella maniera più omogenea possibile e in modo che essa sia il più lontano possibile dal vetro. Nel caso

in cui il vetro si sporchi durante il riscaldamento consigliamo di aumentare l'intensità della combustione aprendo il regolatore dell'aria; in questa maniera gran parte del vetro si pulirà da sola.

Se il vetro è appannato e sporco per via del fumo, lo si può pulire (a freddo) con fogli di giornale o panno umido intriso nella cenere del legno. In genere la pulizia dei vetri delle stufe avviene con l'utilizzo di detersivi liquidi. Tuttavia, indipendentemente dalla composizione del detergente e dalla sua interazione con i residui di combustione (particelle di cenere, ecc ...), questi possono in molti casi danneggiare le guarnizioni delle stufe e/o il vetro e/o il colore decorativo del vetro della stufa.

Il produttore non si assume alcuna responsabilità per danni derivanti dall'utilizzo di prodotti chimici.

6.2 Pulizia del termocamino / smontaggio chamotte

In fase di pulizia è necessario rimuovere i residui rimasti nel condotto fumi e nel vano della combustione. Le parti rovinate o non correttamente sistemate del rivestimento in chamotte vanno riparate, preferibilmente sostituite. La completezza del rivestimento in chamotte va monitorata anche durante la stagione di utilizzo della stufa. Gli spazi tra i singoli mattoni in chamotte rispondono a criteri di dilatazione termica al fine di impedire la formazione di cricche nei mattoni; pertanto questi spazi non possono essere assolutamente colmati per esempio con materiale di riempimento (come si era soliti fare nelle vecchie stufe a combustibile solido). **I mattoni in chamotte che presentano screpolature non perdono la propria funzione, purché non siano completamente sgretolati!** In fase di pulizia consigliamo di estrarre dal termocamino le barriere di direzionamento del tiraggio – se presenti. In questo modo si accede più facilmente allo spazio al di sopra di esse. La pulizia del termocamino (eccetto il vetro) si effettua senza preparati a base di acqua, per esempio mediante aspirazione oppure con spazzole d'acciaio. Non è consentito nessun tipo di modifica al termocamino. Utilizzare solo pezzi di ricambio approvati dal produttore. Smontaggio degli chamotte (vedi Camera chamotte). Le superfici di attrito delle cerniere dello sportello e del meccanismo di chiusura vanno di tanto in tanto lubrificate con grasso al carbonio o altro lubrificante per alte temperature. Chiudere il termocamino con i rispettivi arresti, se fuori servizio.

6.3 Pulizia del camino

Ciascun utente di stufe a combustibile solido ha l'obbligo di controllare regolarmente e pulire il camino **ai sensi del decreto governativo n. 34/2016 Racc. del 22.1.2016.**

7. Modalità di smaltimento della confezione e del prodotto dismesso

Ai sensi della legge n. 125/1997 Racc. e normative collegate, si consiglia la seguente modalità di smaltimento della confezione e del prodotto dismesso che ormai non è più utilizzabile.

Confezione:

- le parti in legno della confezione vanno bruciate come combustibile per il riscaldamento
- la confezione in plastica va gettata in un contenitore per la raccolta differenziata
- le viti e i supporti vanno consegnati al deposito rottami
- il sacchetto con separatore dell'umidità dell'aria va gettato nel rispetto della raccolta differenziata

Prodotto dismesso non più utilizzabile:

- smontare il vetro e gettarlo in un contenitore per la raccolta differenziata
- le guarnizioni e i pannelli in chamotte vanno gettati tra i rifiuti solidi urbani
- le parti metalliche vanno consegnate al deposito rottami

8. La garanzia

Prima della messa in funzione del caminetto è importante leggere attentamente il foglio di garanzia e delle istruzioni. Trovate tutte le istruzioni in modo da soddisfare un eventuale richiesta di garanzia.

L'utilizzo non corretto ha di conseguenza la perdita delle garanzie del prodotto.

